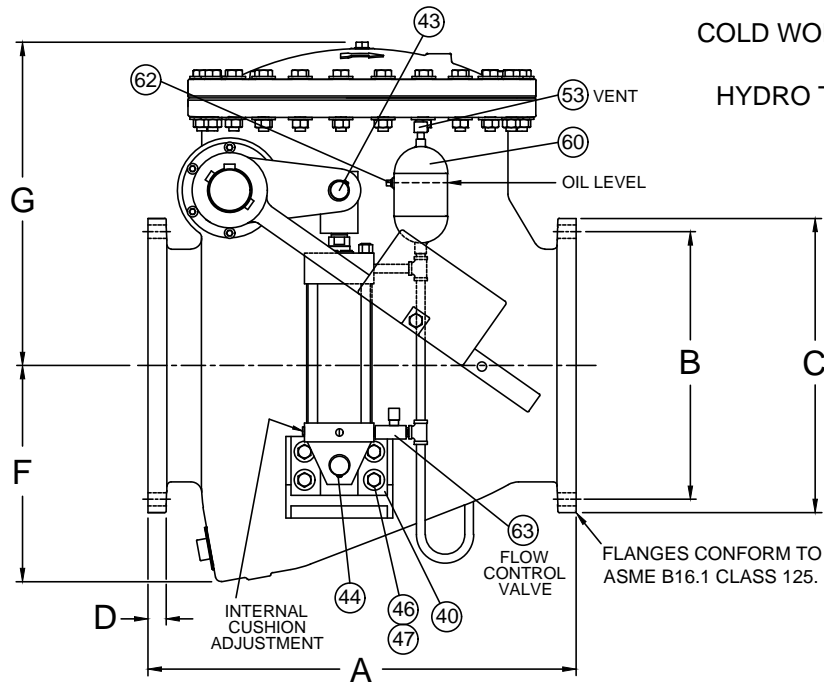
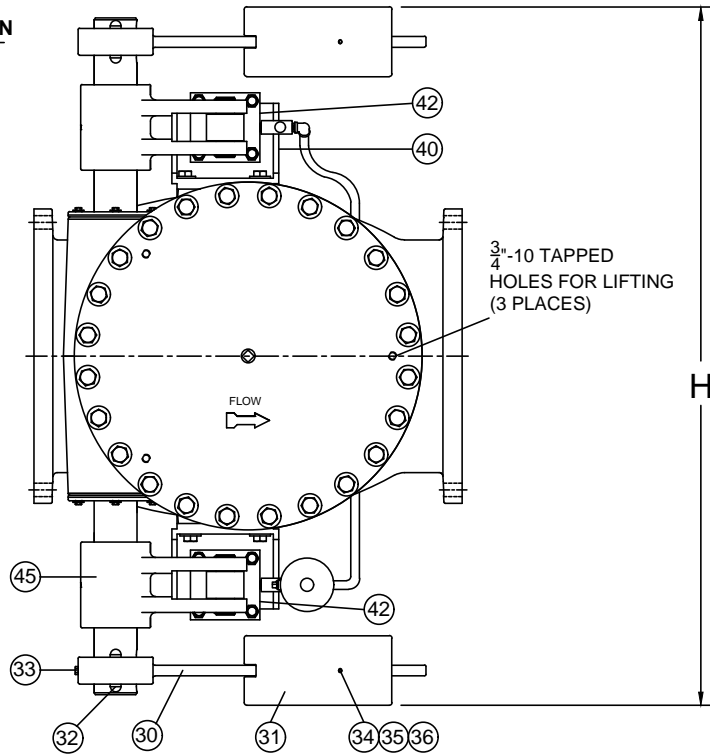


2-STAGE OIL CUSHION PRINCIPLE OF OPERATION

During closure, the oil cylinder controls the speed of closure in two stages:

1. As the check valve closes, oil from the bottom port of the cylinder is controlled by the Flow Control Valve (63), typically 2 to 5 seconds.
2. During the last 10% of travel, the closure is controlled using the internal cushion adjustment, typically 1 to 3 seconds.



COLD WORKING PRESSURE
150 PSI
HYDRO TEST PRESSURE
300 PSI

SEE DRAWING VM-7920S2-M FOR STANDARD MATERIALS OF CONSTRUCTION

DIMENSIONS, INCHES							
VALVE SIZE	A	B	C	D	F	G	H
14	31.00	18.75	21.00	1.38	17.00	21.00	53.13
18	40.00	22.75	25.00	1.56	19.00	28.00	62.25

Revised 7-17-15 (Rev 3)

14" & 18" SWING CHECK VALVE WITH SIDE MOUNTED 2-STAGE OIL CUSHION

DATE 3-28-13



VALVE AND MANUFACTURING CORP.

DRWG. NO.

VMC-7918S2