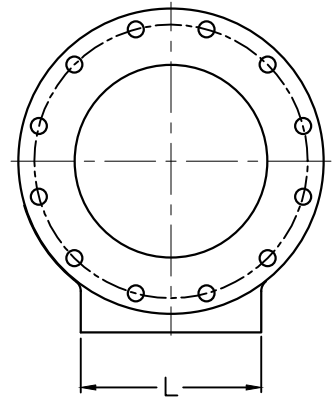
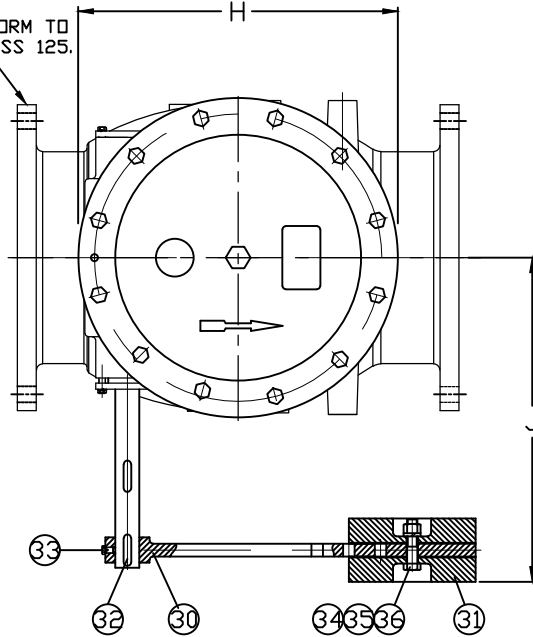
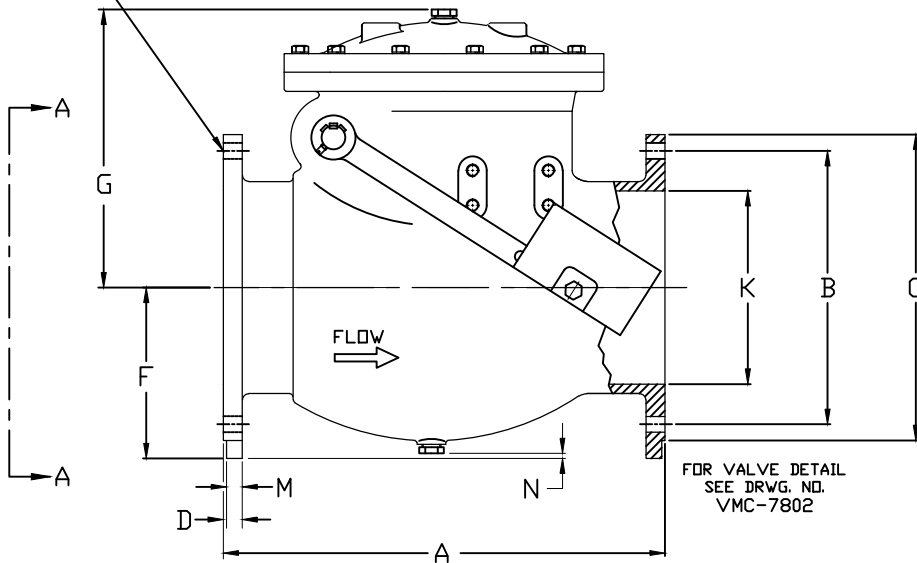


FLANGES CONFORM TO
ANSI B16.1 CLASS 125.



E NUMBER OF TAPPED HOLES
(TOP OF FLANGE NEAR HINGE)



DRAWING DEPICTS 12" VALVE SIZE TO SCALE.
SEE DRAWING NO. VM-7802LW-M FOR STANDARD MATERIALS OF CONSTRUCTION.

Revised 2-18-15 (Rev. 5)

SWING CHECK VALVE WITH LEVER AND WEIGHT

DATE 10-13-11

VALMATIC

VALVE AND MANUFACTURING CORP.

DRWG. NO.
VMC-7802LW
SHEET 1 OF 2

TABLE OF DIMENSIONS

DIMENSIONS, INCHES

VALVE SIZE	MODEL NO.	CWP (PSI)	A	B	C	D	E	F	G	H	J	K	L	M	N*	SHPG. WT.
2	7802LW	250	8.00	4.75	6.00	0.63	0	—	4.34	5.39	5.25	2.00	3.15	0.50	0.27	28
2 1/2	7825LW	250	8.50	5.50	7.00	0.68	0	—	4.34	5.78	7.00	2.50	3.68	0.44	0.62	37
3	7803LW	250	9.50	6.00	7.50	0.75	0	4.17	6.69	7.01	7.38	3.00	3.55	0.50	0.46	55
4	7804LW	250	11.50	7.50	9.00	0.75	0	4.92	7.60	7.87	8.63	4.00	3.94	0.79	0.43	90
6	7806LW	250	14.00	9.50	11.00	0.75	0	6.69	10.53	12.60	12.50	6.00	6.29	0.59	0.59	185
8	7808LW	250	19.50	11.75	13.50	0.88	0	8.46	12.80	15.75	15.75	8.00	7.88	0.59	0.97	326
10	7810LW	250	24.50	14.25	16.00	1.18	0	8.66	14.33	17.52	17.38	10.00	7.88	0.59	-0.13	484
12	7812LW	250	27.50	17.00	19.00	1.25	0	10.63	17.32	19.88	17.88	12.00	11.23	0.98	0.30	723
14	7814LW	250	31.00	18.75	21.00	1.38	0	12.50	19.96	23.88	23.13	14.00	14.00	0.75	-0.04	1011
16	7816LW	250	36.00	21.25	23.50	1.43	0	13.75	21.22	26.50	25.00	16.00	14.00	0.88	-0.29	1177
18	7818LW	250	40.00	22.75	25.00	1.56	0	15.00	23.22	27.88	26.38	18.00	14.38	1.00	-0.16	1521
20	7820LW	250	40.00	25.00	27.50	1.68	0	16.00	24.94	30.44	28.25	20.00	16.00	1.00	-0.66	1890
24	7824LW	250	48.00	29.50	32.00	1.88	0	18.50	30.34	36.63	32.75	24.00	14.00	1.00	0.90	3052
30	7730LW	150	60.00	36.00	38.75	2.12	0	22.00	38.47	43.81	40.75	30.00	18.00	1.06	-0.87	6088
30	7830LW	250	60.00	36.00	38.75	2.12	0	22.00	38.47	43.81	40.75	30.00	14.00	1.00	-0.87	6088
36	7736LW	150	63.00	42.75	46.00	2.38	0	25.50	43.22	51.41	45.06	36.00	20.00	1.13	-1.89	8495
36	7836LW	250	63.00	42.75	46.00	2.38	0	25.50	43.22	51.41	45.06	36.00	24.00	1.25	-1.89	8495
42	7742LW	150	70.00	49.50	53.00	2.63	0	29.25	49.80	59.88	50.00	42.00	30.00	1.44	-2.38	11380
42	7842LW	250	70.00	49.50	53.00	2.63	0	29.25	49.80	59.88	50.00	42.00	36.00	1.63	-2.38	11380
48	7748LW	150	76.00	56.00	59.50	2.75	8	32.75	56.38	68.38	55.13	48.00	42.00	1.81	-2.63	16780
48	7848LW	250	76.00	56.00	59.50	2.75	8	32.75	56.38	68.38	55.13	48.00	48.00	2.00	-2.63	16780

* DIMENSION "N" WITH NEGATIVE NUMBERS EXTEND PAST BOTTOM OF INTEGRAL MOUNTING PADS (FLANGE FEET).

Revised 2-18-15 (Rev. 5)

SWING CHECK VALVE WITH LEVER AND WEIGHT

DATE 10-13-11

VALMATIC

VALVE AND MANUFACTURING CORP.

DRWG. NO.
VMC-7802LW
SHEET 2 OF 2