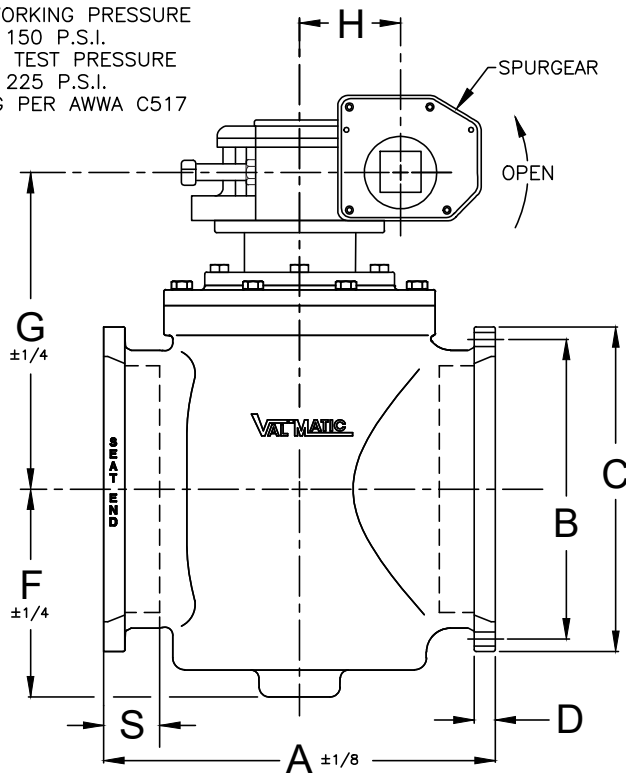


COLD WORKING PRESSURE  
150 P.S.I.  
HYDRO TEST PRESSURE  
225 P.S.I.  
TESTING PER AWWA C517



\*ASTERISK INDICATES VALVE MODEL NUMBERS W/O SPUR GEAR.  
SEE DRAWING NO. VM-5804RN-M FOR MATERIALS OF CONSTRUCTION.

VALVE SIZE	MODEL NO.	ACTUATOR PRESSURE RATING P.S.I.		A	B	C	D	F	G	H	J	K	S	T	W	BOLT SIZE	NO. OF BOLTS	MIN % OF STD. WT. PIPE
		REVERSE	DIRECT															
14	5914R/8E02*	100	150	24.50	18.75	20.31	1.38	13.1	19.2	5.6	21.8	13.0	3.50	---	---	3/4	10	86
	5914R/8F02*	150	150															
16	5916R/8E02*	100	150	24.69	21.00	22.56	1.44	15.6	23.1	9.7	24.9	13.0	3.50	---	---	3/4	12	86
	5916R/8F02*	150	150															
18	5918R/8J02	100	150	28.50	23.25	24.83	1.56	15.6	23.0	9.7	24.9	13.0	3.50	---	---	3/4	12	83
	5918R/8K02	150	150															
20	5920R/8J02	100	150	30.50	25.50	27.09	1.69	17.5	24.7	7.3	26.0	14.5	3.50	---	---	3/4	14	83
	5920R/8K02	150	150															
24	5924R/8J02A	100	150	37.00	30.00	31.59	1.75	19.0	23.9	4.2	26.8	15.2	3.50	1 1/4	28.3	3/4	16	83
	5924R/8K02A	150	150															
30	5930R/8R02	100	150	45.50	36.88	39.12	1.94	24.0	27.3	2.8	31.8	20.1	4.00	---	---	1	20	75
	5930R/8S02	150	150															
36	5936R/8S02A	100	150	61.88	43.75	46.00	2.00	27.1	33.4	4.9	38.7	20.6	4.75	1 3/4	40.5	1	24	75
	5936R/8T02A	150	150															

CAM-CENTRIC® MJ PLUG VALVE WITH BURIED WORM GEAR ACTUATOR

DATE REV 5-3-19  
10-19-95

DRWG. NO.

VMC-5914R/BWGA



VALVE AND MANUFACTURING CORP.