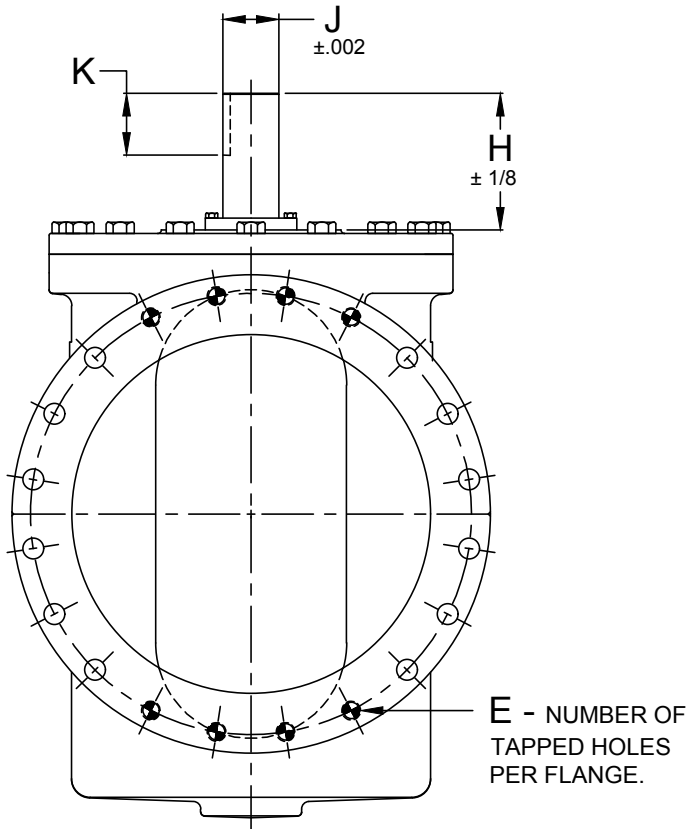
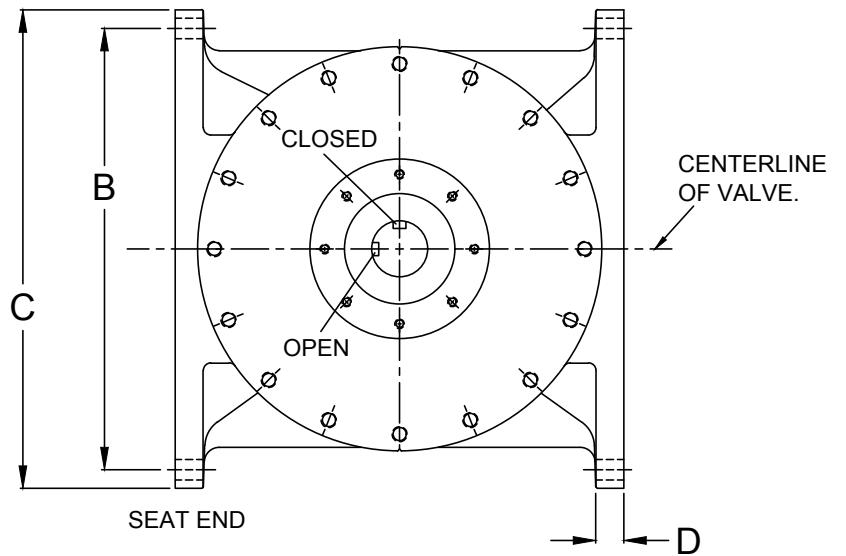
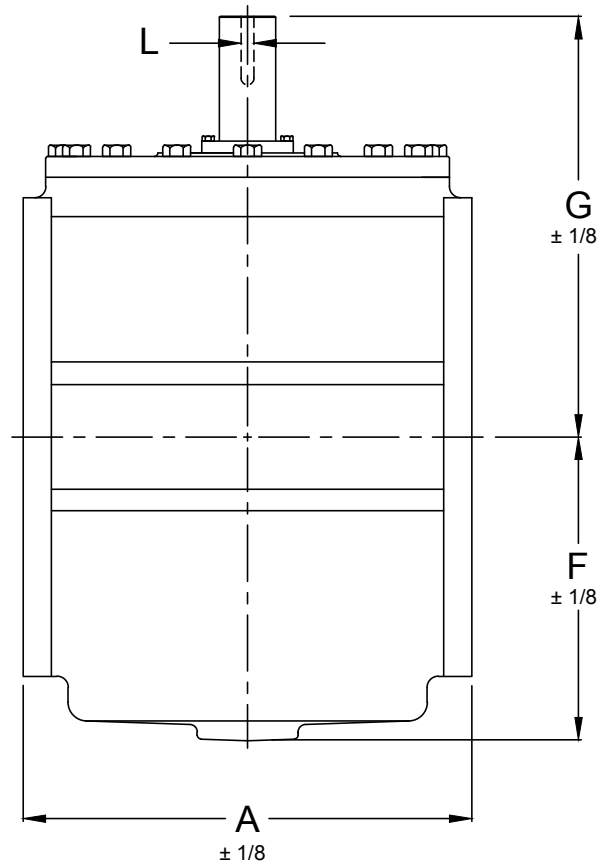


ACTUATOR MOUNTING DIMENSIONS



COLD WORKING PRESSURE
150 P.S.I.
HYDRO TEST PRESSURE
225 P.S.I.



SEE DRAWING NO. VM-5804RN-M FOR MATERIALS OF CONSTRUCTION.

END FLANGE DRILLING CONFORMS TO ANSI B16.1

DIMENSIONS, INCHES

VALVE SIZE	A	B	C	D	E QTY.	E TAP	E DEEP	F	G	H	J	K	L	M	N	O	P	Q	R	BOLT SIZE	NO. OF BOLTS	% OF STD. WT. PIPE
24	30.00	29.50	32.00	1.88	8	11/4-7	1.88	20.25	28.18	9.12	3.745	4.12	.875	3.261	12.00	10.00	7.38	5/8-11	1.12	1 1/4	20	83

Revised 6-21-18

ANSI CLASS 125 FLANGED CAM-CENTRIC® RECTANGULAR PLUG VALVE WITH BARE STEM

DATE 5-19-09



VALVE AND MANUFACTURING CORP.

DRWG. NO.
VMC-5824R/BS