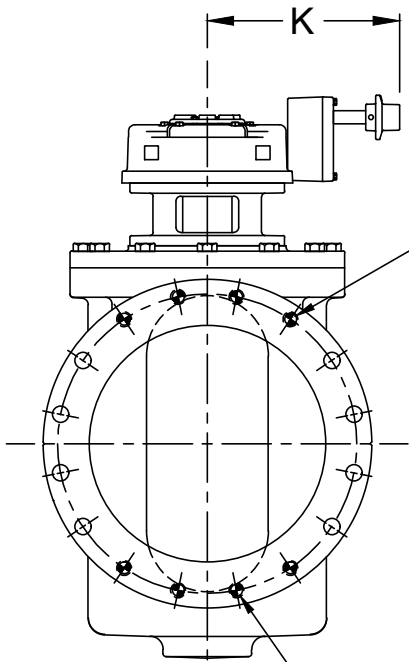
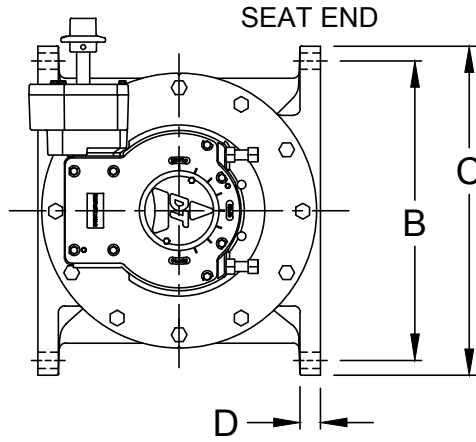
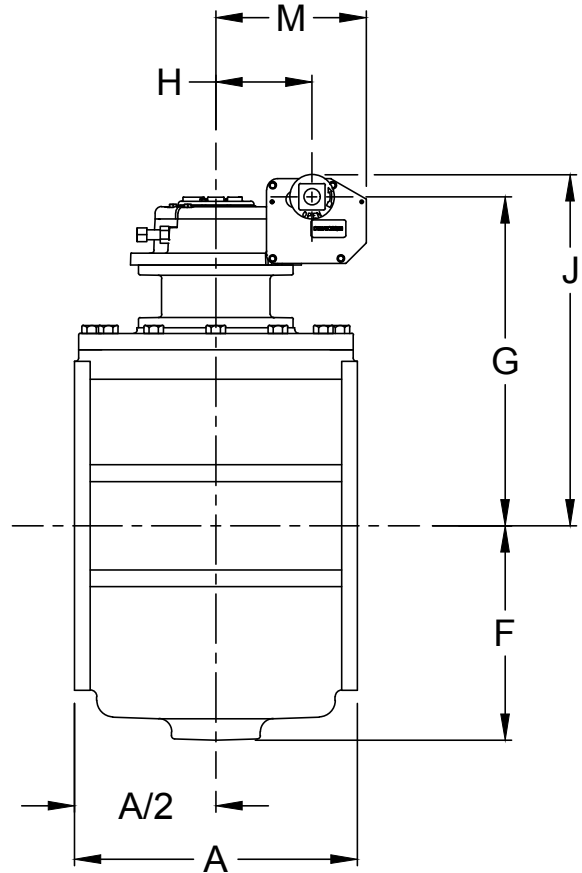


COLD WORKING PRESSURE  
150 P.S.I.  
HYDRO TEST PRESSURE  
225 P.S.I.



E - NUMBER OF  
TAPPED HOLES  
PER FLANGE

FLANGE DRILLING CONFORMS  
TO ANSI B16.1 CLASS 125



DIMENSIONS, INCHES

VALVE SIZE	MODEL NUMBER	PRESS. RATING PSI		A	B	C	D	E QTY	E TAP	E DEEP	F	G	H	J	K	M	BOLT SIZE	NO. OF BOLTS	% OF STD. WT. PIPE
		REVERSE	DIRECT																
18	5818R/8J02.5	100	150	21.50	22.75	25.00	1.56	8	1 1/8-7	1.88	16.3	25.0	7.3	26.4	14.5	11.4	1 1/8	16	83

ANSI CLASS 125# FLANGED CAM-CENTRIC® PLUG VALVE WITH BURIED GEAR

DATE REV 6-21-18  
7-1-16



VALVE AND MANUFACTURING CORP

DRWG. NO.

VMC-5818R-BWGA