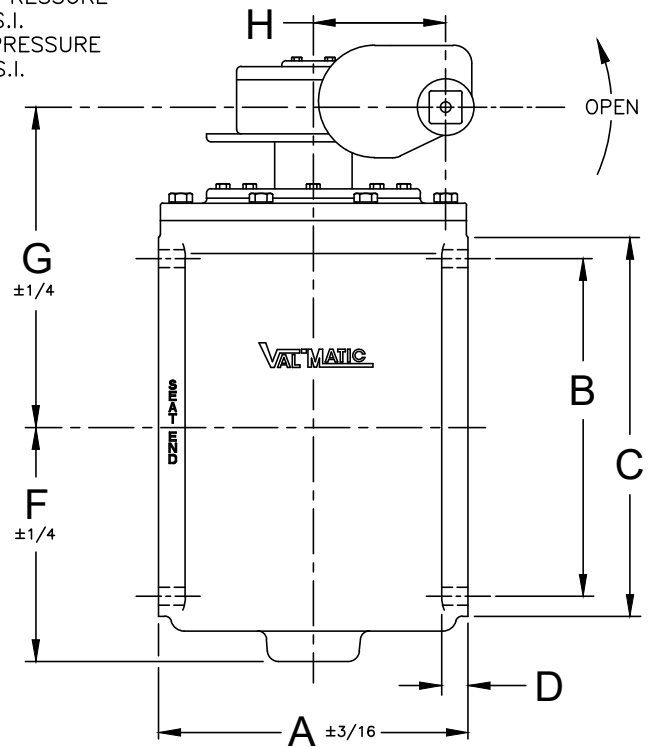


COLD WORKING PRESSURE  
150 P.S.I.  
HYDRO TEST PRESSURE  
225 P.S.I.



\* INDICATES VALVE MODEL NUMBERS W/O SPUR GEAR.  
SEE DRAWING NO. VM-5804RN-M FOR STANDARD MATERIALS OF CONSTRUCTION.

VALVE SIZE	MODEL NO.	ACTUATOR PRESSURE RATING (PSI)		A	B	C	D	E QTY.	E TAP	E DEEP	F	G	H	J	K	S	W	BOLT SIZE	NO. OF BOLTS	MIN % OF STD. WT. PIPE
		REVERSE	DIRECT																	
14	5814R/8E02*	100	150	17.00	18.75	21.00	1.38	4	1-8	1.56	13.0	19.3	5.62	22.0	13.0	-	-	1	12	86
	5814R/8F02*	150	150																	
16	5816R/8E02*	100	150	17.75	21.25	23.50	1.44	8	1-8	1.44	14.5	20.6	5.62	23.1	13.0	-	-	1	16	86
	5816R/8F02*	150	150																	
18	5818R/8J02	100	150	21.50	22.75	25.00	1.56	8	1 1/8-7	1.88	16.3	25.0	7.30	26.7	14.5	-	-	1-1/8	16	83
	5818R/8K02	150	150																	
20	5820R/8J02	100	150	23.50	25.00	27.50	1.69	8	1 1/8-7	1.88	17.5	26.3	7.30	27.9	14.5	-	-	1-1/8	20	83
	5820R/8K02	150	150																	
24	5824R/8J02A	100	150	30.00	29.50	32.00	1.88	12	1 1/4-7	1.38	19.0	23.9	4.24	26.8	15.1	1-1/4	28.3	1-1/4	20	83
	5824R/8L02A	150	150																	
30	5830R/8R02	100	150	37.50	36.00	38.75	2.12	8	1 1/4-7	2.12	24.0	31.0	3.03	35.1	14.4	-	-	1-1/4	28	75
	5830R/8S02	150	150									33.2	10.7	38.9	21.7					
36	5836R/8S02	100	150	52.00	42.75	46.00	2.38	16	1 1/2-6	2.38	29.0	33.9	10.7	39.6	21.7	-	-	1-1/2	32	75
	5836R/8T02	150	150									35.2	40.9							

ANSI CLASS 125 FLANGED CAM-CENTRIC® PLUG VALVE WITH WORM GEAR ACTUATOR

DATE REV 5-3-19  
1-20-98



VALVE AND MANUFACTURING CORP.

DRWG. NO.  
VMC-5814R/BWGA