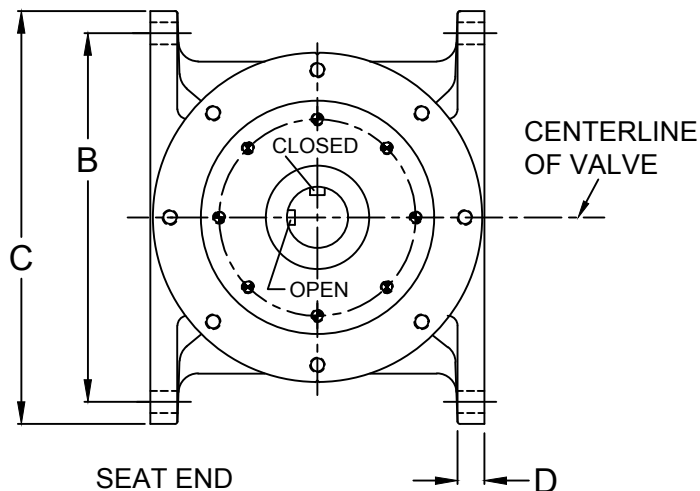
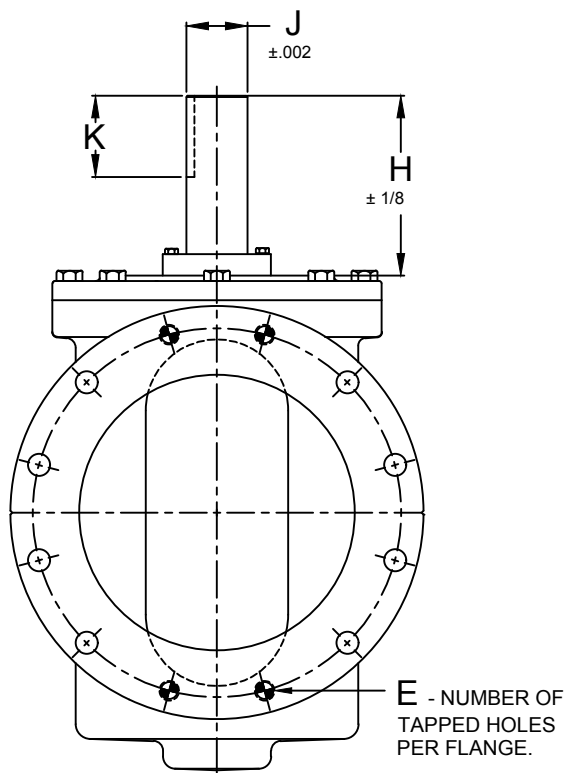


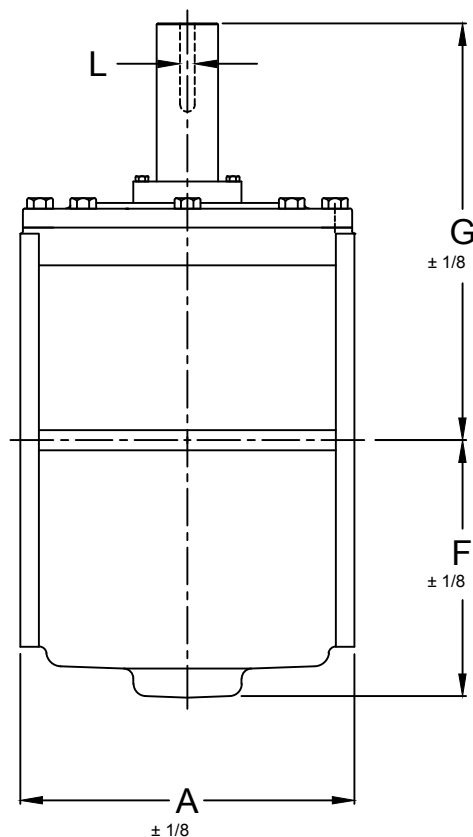
ACTUATOR MOUNTING DIMENSIONS



SEAT END



COLD WORKING PRESSURE  
150 P.S.I.  
HYDRO TEST PRESSURE  
225 P.S.I.



SEE DRAWING NO. VM-5804RN-M FOR MATERIALS OF CONSTRUCTION.

END FLANGE DRILLING CONFORMS TO ANSI B16.1

DIMENSIONS, INCHES

VALVE SIZE	A	B	C	D	E QTY.	E TAP	E DEEP	F	G	H	J	K	L	M	N	O	P	Q	R	BOLT SIZE	NO. OF BOLTS	% OF STD. WT. PIPE
14	17.00	18.75	21.00	1.38	4	1-8	1.56	13.00	21.25	9.12	3.12	4.12	.750	2.704	11.88	10.00	6.75	5/8-11	7/8	1	12	12

REV 6-21-18

ANSI CLASS 125 FLG CAM-CENTRIC® RECTANGULAR PLUG VALVE WITH BARE STEM

DATE 5-11-09

**VAT-MATIC**®

VALVE AND MANUFACTURING CORP.

DRWG. NO.

VMC-5814R/BS