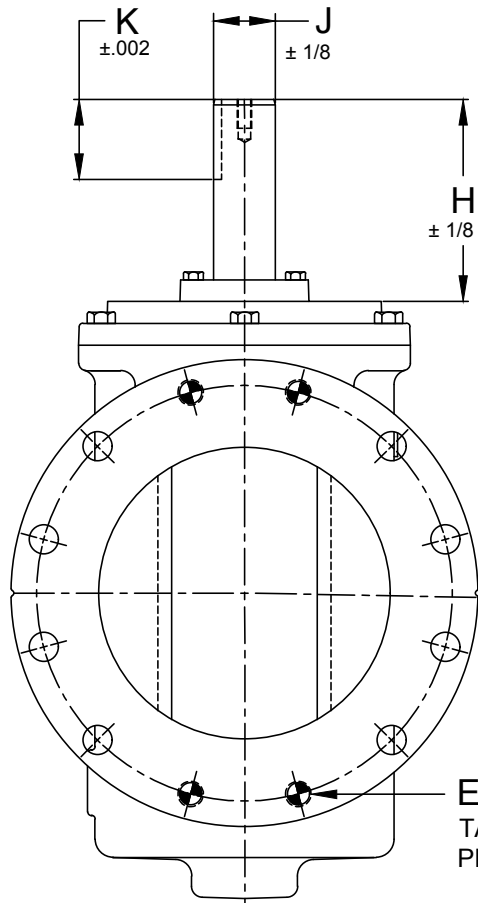
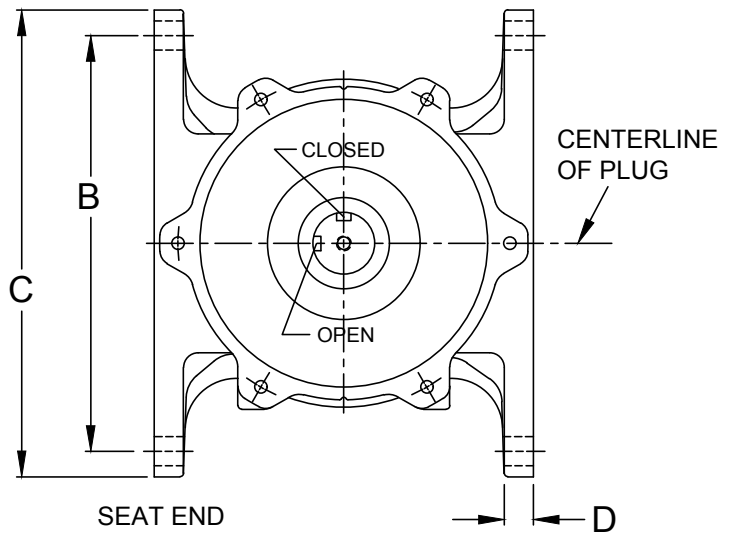
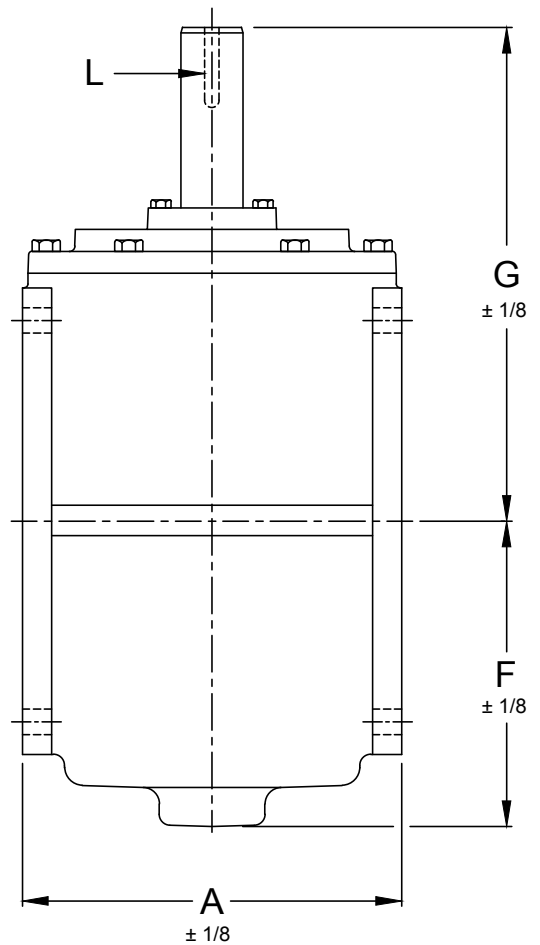


ACTUATOR MOUNTING DIMENSIONS



COLD WORKING PRESSURE
175 P.S.I.
HYDRO TEST PRESSURE
265 P.S.I.



DIMENSIONS, INCHES

VALVE SIZE	A	B	C	D	E QTY.	E TAP	E DEEP	F	G	H	J	K	L	M	N	O	P	Q	R	BOLT SIZE	NO. OF BOLTS	% OF STD. WT. PIPE
10	13.00	14.25	16.00	1.00	4	7/8-9	1.25	10.44	17.06	7.06	2.120	2.50	.500	1.845	9.38	8.00	6.38	1/2-13	13/16	7/8	12	85

REV 6-21-18

ANSI CLASS 125 FLANGED CAM-CENTRIC® RECTANGULAR PLUG VALVE WITH BARE STEM

DATE 4-15-09



VALVE AND MANUFACTURING CORP.

DRWG. NO.
VMC-5810R/BS