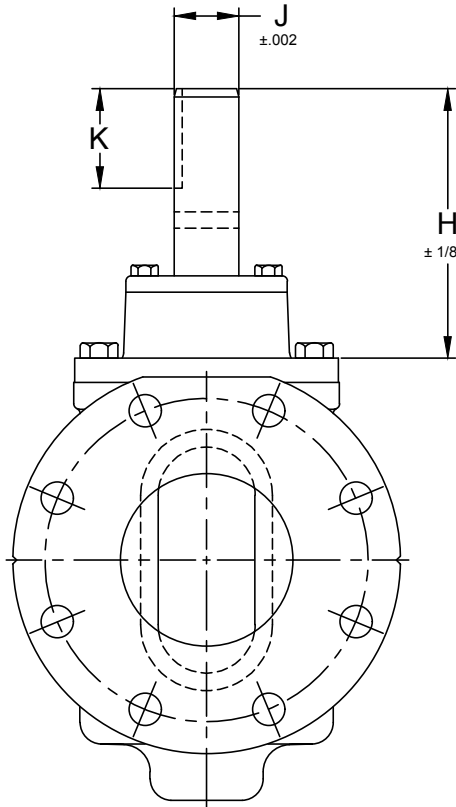
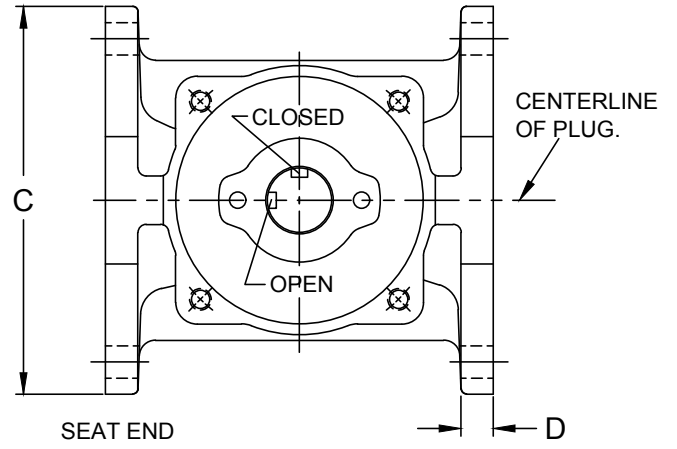
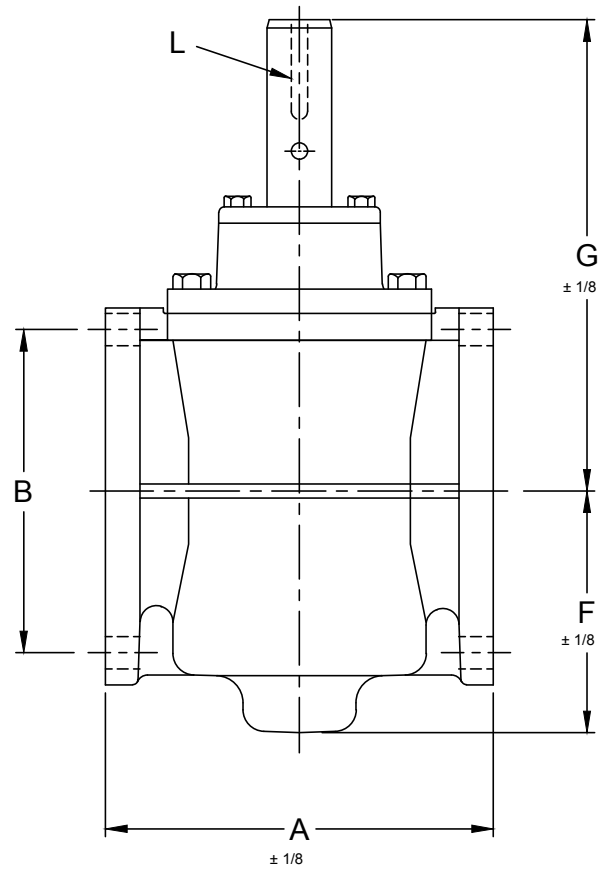


ACTUATOR MOUNTING DIMENSIONS



COLD WORKING PRESSURE
175 P.S.I.
HYDRO TEST PRESSURE
265 P.S.I.



DIMENSIONS, INCHES

VALVE SIZE	A	B	C	D	F	G	H	J	K	L	M	N	O	P	Q	BOLT SIZE	NO. OF BOLTS	% OF STD. WT. PIPE
4	9.00	7.50	9.00	0.75	5.56	10.94	6.25	1.496	2.31	.375	1.289	7.50	6.50	3.75	1/2-13	5/8	8	100

REV 6-20-18

ANSI CLASS 125 FLG CAM-CENTRIC® RECTANGULAR PLUG VALVE WITH BARE STEM

DATE 4-13-09



VALVE AND MANUFACTURING CORP.

DRWG. NO.
VMC-5804R/BS