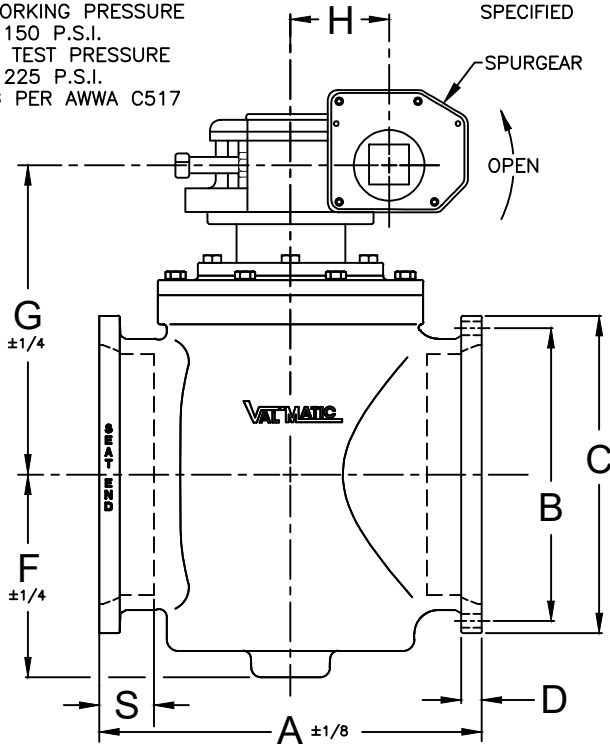


COLD WORKING PRESSURE
150 P.S.I.
HYDRO TEST PRESSURE
225 P.S.I.
TESTING PER AWWA C517



*ASTERISK INDICATES VALVE MODEL NUMBERS W/O SPUR GEAR.
SEE DRAWING NO. VM-5603F-M FOR MATERIALS OF CONSTRUCTION.

VALVE SIZE	MODEL NO.	ACTUATOR PRESSURE RATING P.S.I.		A	B	C	D	F	G	H	J	K	S	T	W	BOLT SIZE	NO. OF BOLTS
		REVERSE	DIRECT														
14	5714F/6E02*	100	150	24.50	18.75	20.31	1.38	13.1	19.2	5.6	21.8	13.0	3.50	-	-	3/4	10
	5714F/6F02*	150	150														
16	5716F/6G02	50	150	24.69	21.00	22.56	1.44	15.6	23.1	9.7	24.9	13.0	3.50	-	-	3/4	12
	5716F/6H02	100	150														
	5716F/6J02	150	150														
18	5718F/6K02	50	150	28.50	23.25	24.83	1.56	15.6	23.0	9.7	24.9	13.0	3.50	-	-	3/4	12
	5718F/6L02	100	150														
	5718F/6M02	150	150														
20	5720F/6N02	50	150	30.50	25.50	27.09	1.69	17.5	24.7	7.3	26.0	14.5	3.50	-	-	3/4	14
	5720F/6P02	100	150														
	5720F/6Q02	150	150														
24	5724F/6R02	50	150	37.00	30.00	31.59	1.75	19.0	27.8	1.2	35.8	20.8	3.50	1 1/4	28.25	3/4	16
	5724F/6S02	100	150														
	5724F/6T02	150	150														
30	5730F/6U02	50	150	45.50	36.88	39.12	1.94	24.0	32.4	2.6	40.4	22.3	4.00	1 1/4	33	1	20
	5730F/6V02	100	150														
	5730F/6W02	150	150														
36	5736F/6Z02	50	150	61.88	43.75	46.00	2.00	27.1	33.4	4.9	38.7	20.6	4.75	1 3/4	40.5	1	24
	5736F/6Y02	100	150														
	5736F/6Z02	150	150														

100% PORT CAM-CENTRIC® MJ PLUG VALVE WITH BURIED WORM GEAR ACTUATOR

DATE REV 7-27-21
3-2-16

VAL-MATIC®

VALVE AND MANUFACTURING CORP.

DRWG. NO.

VMC-5714F/BWGA