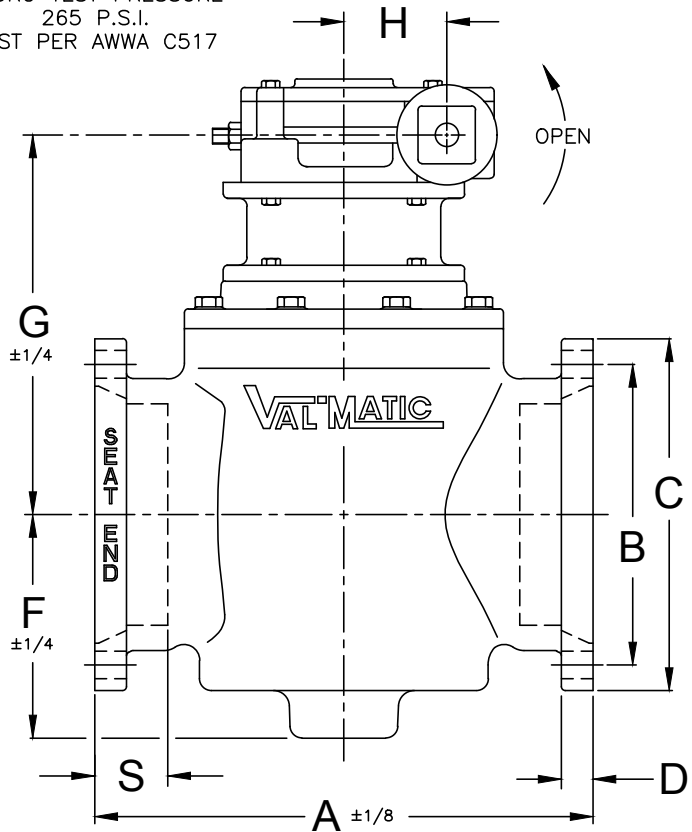
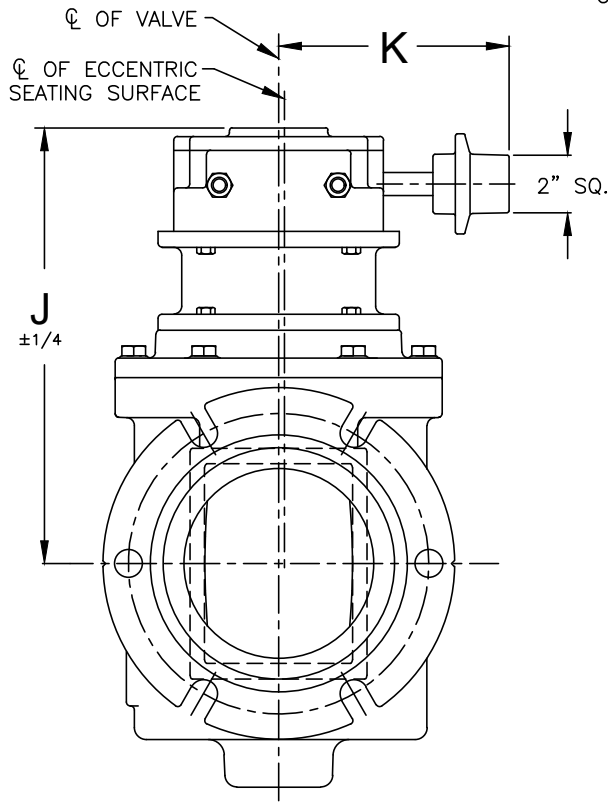


COLD WORKING PRESSURE  
175 P.S.I.  
HYDRO TEST PRESSURE  
265 P.S.I.  
TEST PER AWWA C517



SEE DRAWING NO. VM-5606FN-M FOR MATERIALS OF CONSTRUCTION.

REV 6-22-17

VALVE SIZE	MODEL NO.	ACTUATOR PRESSURE RATING, P.S.I.		A	B	C	D	F	G	H	J	K	S	BOLT SIZE	NO. OF BOLTS
		REVERSE	DIRECT												
6	5706F/6A02	175	175	15.75	9.50	11.12	1.00	7.06	11.4	3.06	13.8	9.00	2.50	3/4	6
8	5708F/6A02	100	175	17.25	11.75	13.37	1.13	8.75	12.1	3.06	15.8	9.00	2.50	3/4	6
	5708F/6B02	175	175												
10	5710F/6C02	100	175	18.75	14.00	15.69	1.19	10.4	15.2	4.75	16.7	7.88	2.50	3/4	8
	5710F/6D02	175	175												
12	5712F/6E02	100	175	19.75	16.25	17.94	1.25	13.0	17.5	4.75	20.3	7.88	2.50	3/4	8
	5712F/6F02	175	175												

100% PORT CAM-CENTRIC® MJ PLUG VALVE WITH BURIED WORM GEAR ACTUATOR

DATE 3-2-16



VALVE AND MANUFACTURING CORP.

DRWG. NO.  
VMC-5706F/BWGA