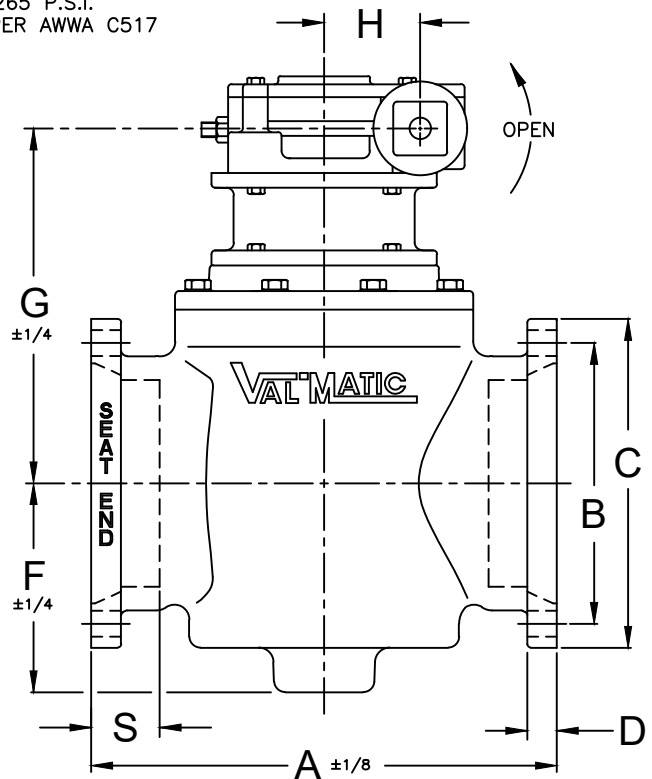
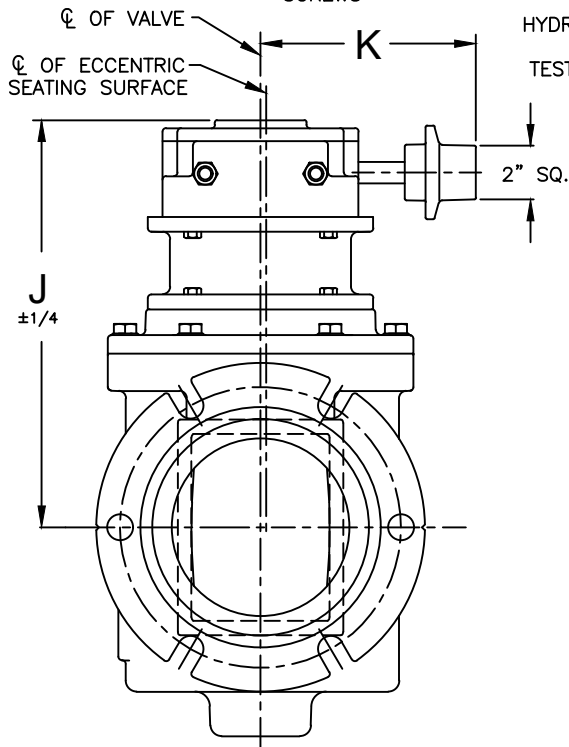


COLD WORKING PRESSURE
175 P.S.I.
HYDRO TEST PRESSURE
265 P.S.I.
TEST PER AWWA C517



SEE DRAWING NO. VM-5603F-M FOR MATERIALS OF CONSTRUCTION.

MECHANICAL JOINT ANSI/AWWA C111/A21.11

VALVE SIZE	MODEL NO.	ACTUATOR PRESSURE RATING, P.S.I.		A	B	C	D	F	G	H	J	K	S	BOLT SIZE	NO. OF BOLTS
		REVERSE	DIRECT												
3	5703F/6A02	175	175	11.50	6.18	7.69	0.94	4.47	7.78	3.06	9.66	9.00	2.50	5/8	4
4	5704F/6A02	175	175	14.25	7.50	9.13	1.00	5.63	9.31	3.06	11.2	9.00	2.50	3/4	4
6	5706F/6A02	175	175	15.75	9.50	11.12	1.00	7.06	11.4	3.06	13.8	9.00	2.50	3/4	6
8	5708F/6A02	100	175	17.25	11.75	13.37	1.13	8.75	12.1	3.06	15.8	9.00	2.50	3/4	6
	5708F/6B02	175	175												
10	5710F/6C02	100	175	18.75	14.00	15.69	1.19	10.4	15.2	4.75	16.7	7.88	2.50	3/4	8
	5710F/6D02	175	175												
12	5712F/6C02	100	175	19.75	16.25	17.94	1.25	13.0	17.5	4.75	20.3	7.88	2.50	3/4	8
	5712F/6D02	175	175												

100% PORT CAM-CENTRIC® MJ PLUG VALVE WITH BURIED WORM GEAR ACTUATOR

DATE 7-27-21



VALVE AND MANUFACTURING CORP.

DRWG. NO.
VMC-5703F/BWGA