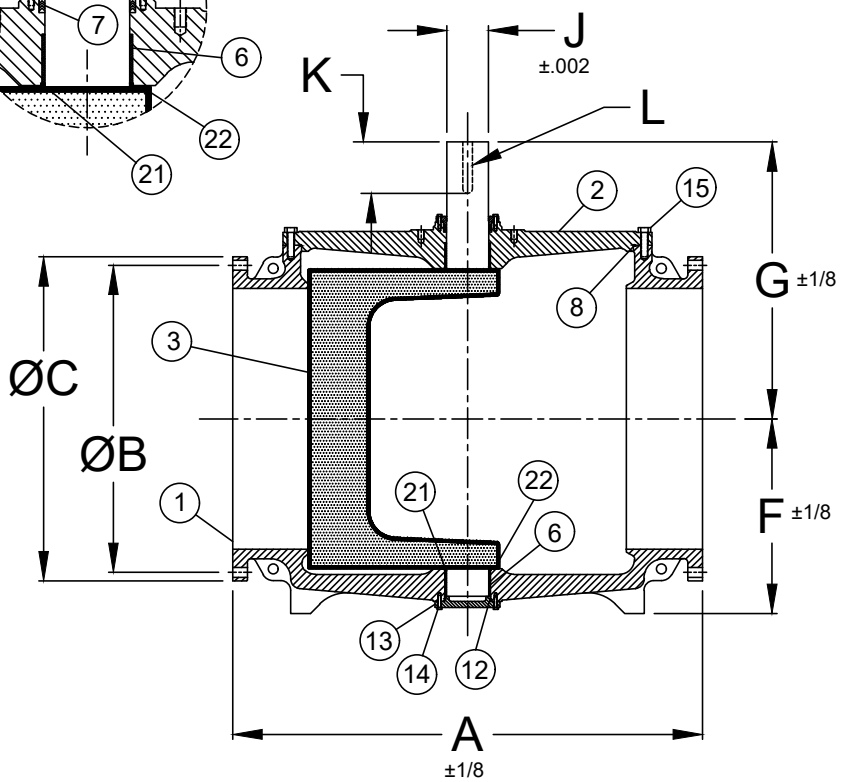
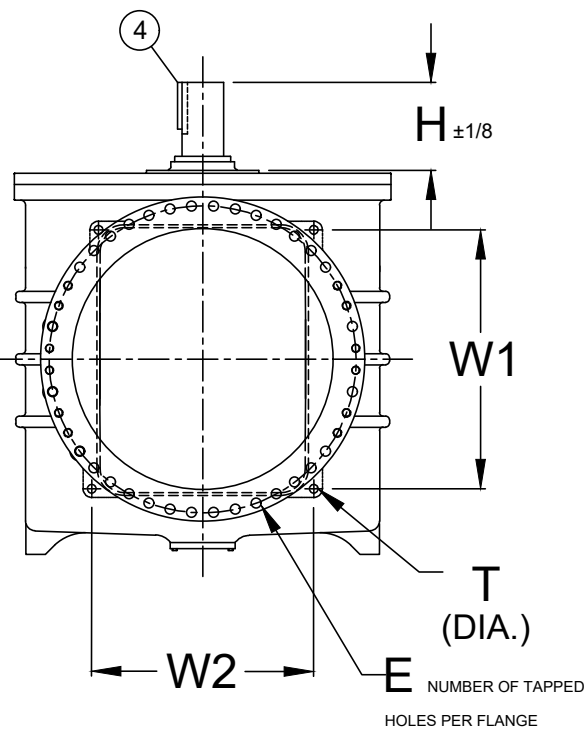
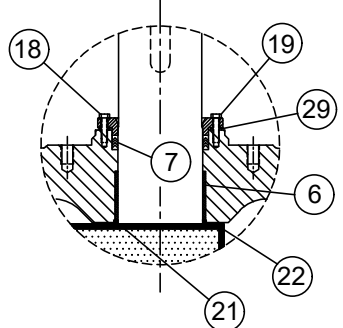


ACTUATOR MOUNTING DIMENSIONS ON VALVE COVER



REV 2-23-22

SEE DRAWING NO. VM-5603F-M FOR STANDARD MATERIALS OF CONSTRUCTION

END FLANGE DRILLING CONFORMS TO ANSI B16.1

VALVE SIZE	A	B	C	D	E QTY.	F TAP	E DEEP	F	G	H	J	K	L	M	N	O	P	Q	R	S	T	W1	W2	BOLT SIZE	NO. OF BOLTS
42	62	49.50	53.00	2.63	24	1½-6	2.00	37.1	45.8	13.3	7.245	7.88	1.75 SQ.	6.268	23.0	19.0	10.5	1½-7	1.63	12	1½	44.4	37.3	1½	36
48	72	56.00	59.50	2.75	44	1½-6	2.25	37.1	53.6	15.5	7.745	8.00	2.00 SQ.	6.619	23.0	19.0	11.3	1½-7	1.63	12	1½	49.9	48.7	1½	44
54	96	62.75	66.25	3.00	12	1¾-6	3.00	40.0	56.6	17.9	8.495	10.50	2.00 SQ.	7.381	23.0	19.0	14.0	1½-7	2.25	12	-	-	-	1½	44
60	96	69.25	73.00	3.00	36	1¾-6	2.25	48.0	64.9	17.6	9.495	11.25	2.50 SQ.	8.091	23.0	19.0	14.0	1½-7	2.25	12	3	56	56	1½	52
66	96	76.00	80.00	3.25	40	1¾-6	2.50	52.5	71.2	26.8	10.995	11.00	2.50 SQ.	9.606	31.5	27.0	18.8	1½-7	2.63	12	3	61.5	61.5	1½	52
72	96	82.50	86.50	3.50	40	1¾-6	2.75	53.1	82.4	27.7	11.495	14.88	2.50 SQ.	10.107	31.5	27.0	18.8	1½-7	2.63	12	3	69.9	62.9	1½	60

100% PORT FLANGED CAM-CENTRIC® RECTANGULAR PLUG VALVE

DATE 8-2-18



VALVE AND MANUFACTURING CORP.

DRWG. NO.

VMC-5642F