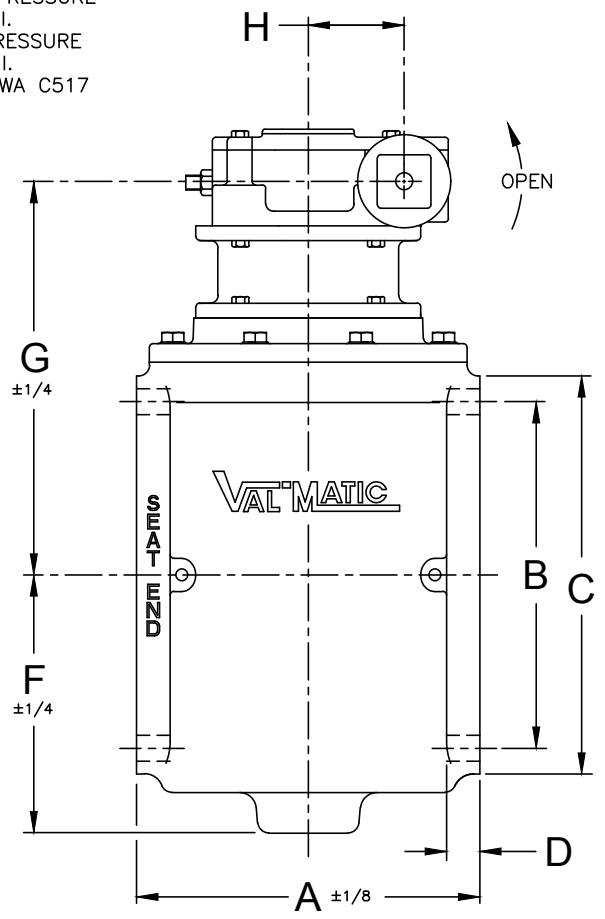
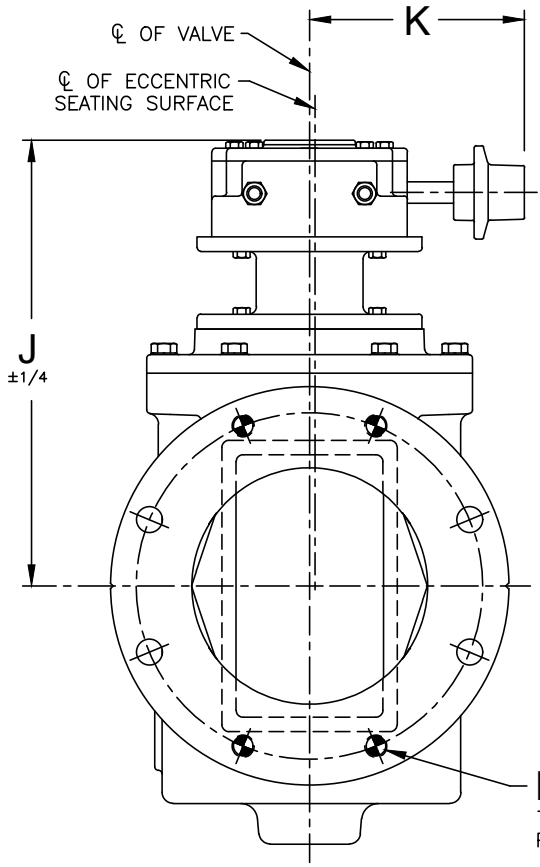


COLD WORKING PRESSURE
175 P.S.I.
HYDRO TEST PRESSURE
265 P.S.I.
TESTED PER AWWA C517



E NUMBER OF TAPPED HOLES PER FLANGE

SEE DRAWING NO. VM-5606FN-M FOR STANDARD MATERIALS OF CONSTRUCTION.

REV 5-2-18

VALVE SIZE	MODEL NO.	ACT. PRESS RATING (PSI)		A	B	C	D	E QTY.	E TAP	E DEEP	F	G	H	J	K	BOLT SIZE	NO. OF BOLTS
		REVERSE	DIRECT														
6	5606F/6A02	175	175	10.50	9.50	11.00	1.00	4	3/4-10	1.25	7.06	11.4	3.06	13.8	9.0	3/4	8
8	5608F/6A02	100	175	11.50	11.75	13.50	1.13	4	3/4-10	1.38	8.75	12.1	3.06	15.8	9.0	3/4	8
	5608F/6B02	175	175														
10	5610F/6C02	100	175	13.00	14.25	16.00	1.19	8	7/8-9	1.38	10.4	15.2	4.75	16.7	7.8	7/8	12
	5610F/6D02	175	175														
12	5612F/6C02	100	175	14.00	17.00	19.00	1.25	8	7/8-9	1.38	13.6	17.5	4.75	20.3	7.8	7/8	12
	5612F/6D02	175	175														

100% PORT ANSI CLASS 125 FLANGED CAM-CENTRIC[®] PLUG VALVE WITH BS WORM GEAR ACT

DATE 5-24-16



VALVE AND MANUFACTURING CORP.

DRWG. NO. VMC-5606F/BWGA