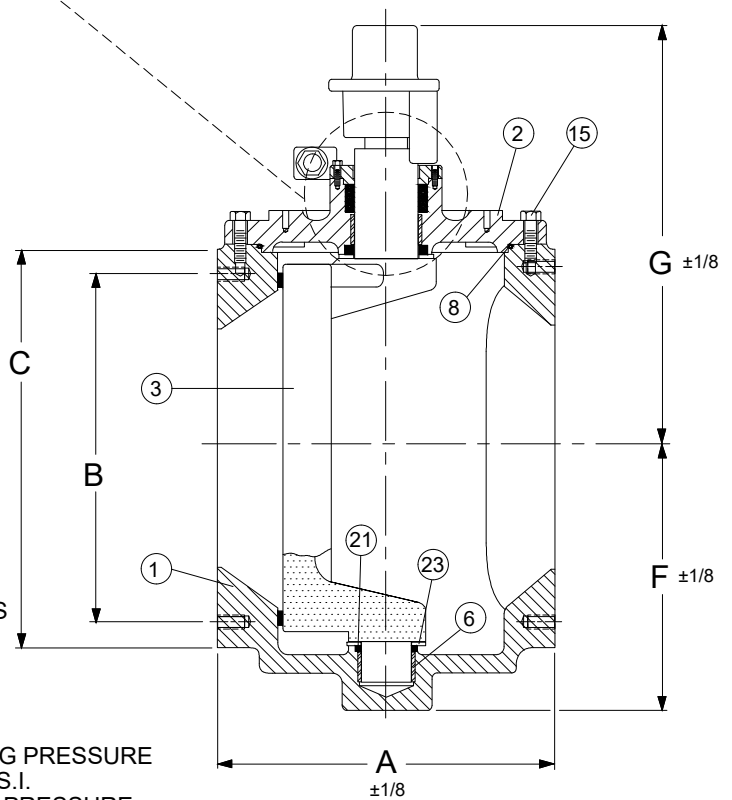


E NUMBER OF TAPPED HOLES PER FLANGE.



COLD WORKING PRESSURE  
175 P.S.I.  
HYDRO TEST PRESSURE  
265 P.S.I.

SEE DRAWING NO. VM-5603FN-M FOR STANDARD MATERIALS OF CONSTRUCTION.

VALVE SIZE	MODEL NO.	Press. Rating P.S.I.		A	B	C	D	E QTY.	E TAP	E DEEP	F	G	BOLT SIZE	NO. OF BOLTS
		Reverse	Direct											
3	5603FN	175	175	8.00	6.00	7.50	0.75	2	5/8-11	0.75	4.47	9.54	5/8-11	4
4	5604FN	175	175	9.00	7.50	9.00	0.94	2	5/8-11	0.94	5.63	11.2	5/8-11	8
6	5606FN	50	100	10.50	9.50	11.00	1.00	4	3/4-10	1.25	7.06	12.4	3/4-10	8

100% PORT ANSI CLASS 125 FLANGED CAM-CENTRIC® PLUG VALVE WITH DIRECT NUT

DATE 7-27-2021



VALVE AND MANUFACTURING CORP.

DRWG. NO.

VM-5603FN