

NOTE:

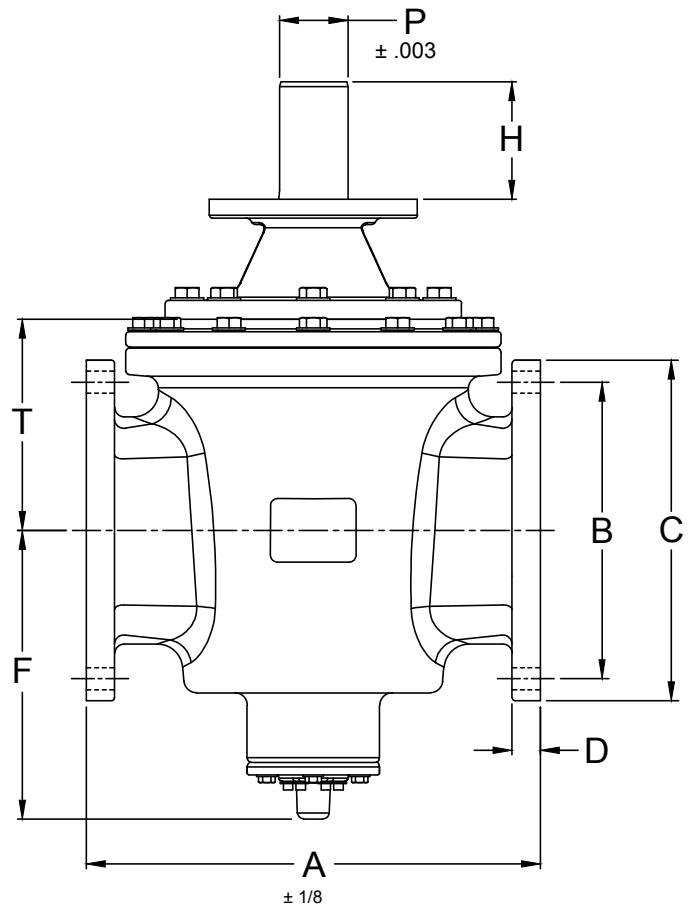
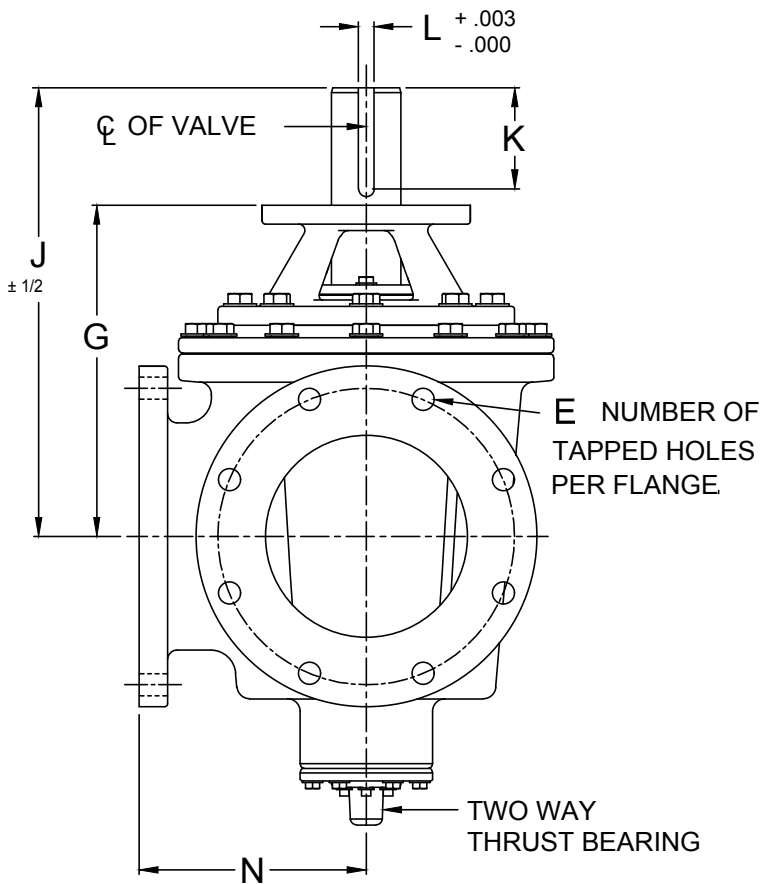
"J" DIMENSION VARIES $\pm \frac{1}{2}$ " BASED ON VERTICAL ADJUSTMENT OF PLUG.

COLD WORKING PRESSURE

150 P.S.I.

HYDRO TEST PRESSURE

225 P.S.I.



DRAWING DEPICTS 8" VALVE SIZE TO SCALE.

FLANGE DIMENSIONS, INCHES

VALVE SIZE	MODEL NUMBER	A	B	C	D	E	F	G	H	J	K	L	M	N	P	Q	R	S	T	BOLT SIZE	NO. OF BOLTS
4	5504	13.00	7.50	9.00	0.94	—	8.25	8.44	2.84	11.28	2.81	.375	1.289	6.50	1.500	4	0.56	6.19	5.31	5/8	8
6	5506	16.00	9.50	11.00	1.00	—	9.50	11.00	4.72	15.72	4.75	.500	1.845	8.00	2.125	4	0.875	8.00	7.00	3/4	8
8	5508	18.00	11.50	13.50	1.13	—	11.44	13.13	4.66	17.78	4.00	.625	2.402	9.00	2.750	4	0.875	10.00	8.38	3/4	8
10	5510	22.00	14.25	16.00	1.19	2	12.44	14.63	5.03	19.66	4.81	.625	2.402	11.00	2.750	8	0.69	10.00	9.88	7/8	12
12	5512	24.00	17.00	19.00	1.25	2	13.88	16.38	5.03	21.41	4.88	.750	2.704	12.00	3.125	8	0.69	10.00	11.63	7/8	12

Revised 2-21-18

ANSI CLASS 125 3-WAY TAPERED PLUG VALVE WITH BARE STEM

DATE 9-19-11

VAL-MATIC

VALVE AND MANUFACTURING CORP.

DRWG. NO.

VMC-5504/BS