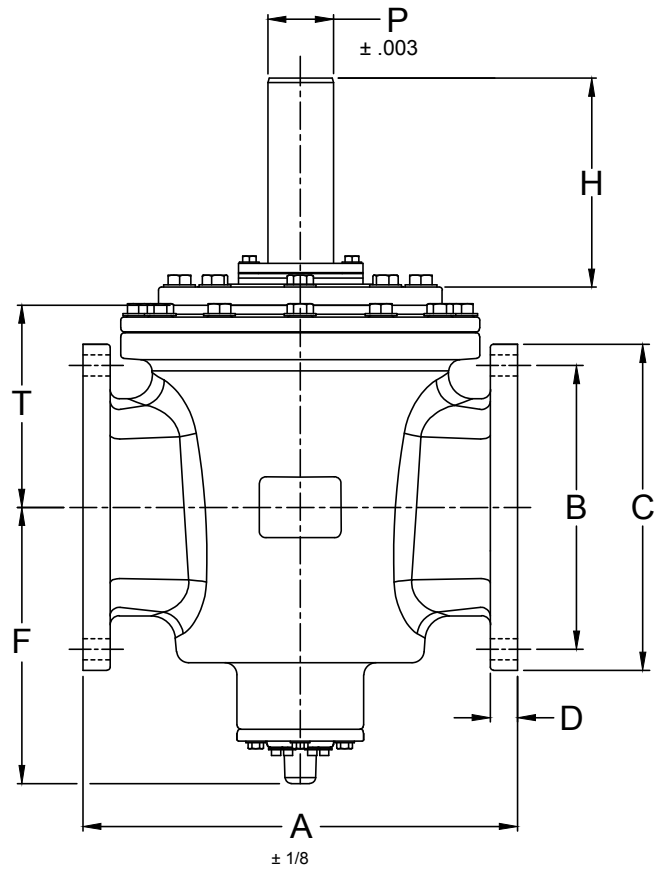
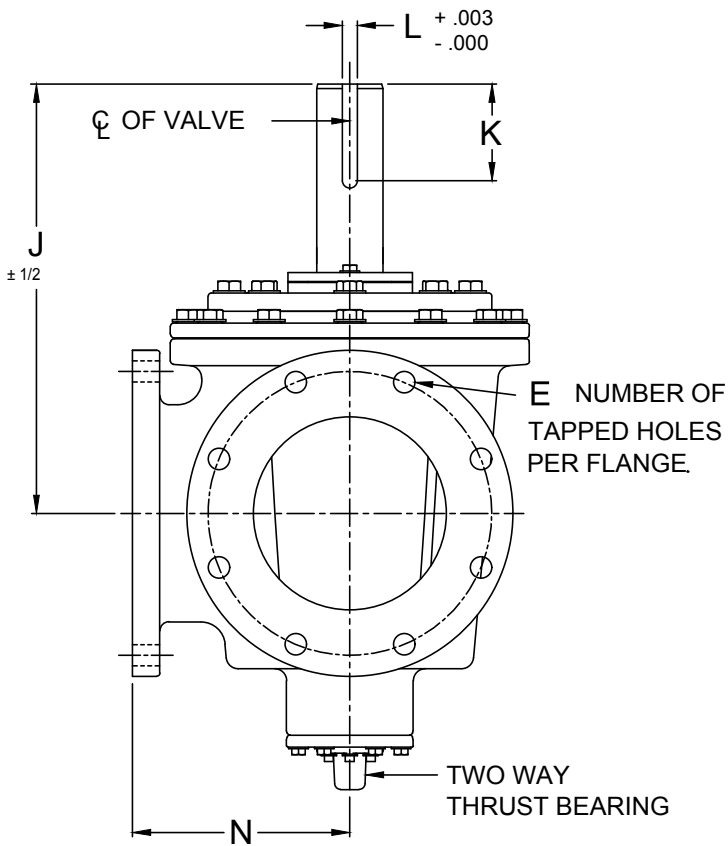


NOTE:
 "J" DIMENSION VARIES +/- 1/2" BASED ON
 VERTICAL ADJUSTMENT OF PLUG.

COLD WORKING PRESSURE
 150 P.S.I.
 HYDRO TEST PRESSURE
 225 P.S.I.



DRAWING DEPICTS 8" VALVE SIZE TO SCALE.

REV 7-22-19

FLANGE DIMENSIONS, INCHES

VALVE SIZE	MODEL NUMBER	A	B	C	D	E	F	H	J	K	L	M	N	P	Q	R	S	T	X	BOLT SIZE	NO. OF BOLTS
4	5504	13.00	7.50	9.00	0.94	—	8.25	5.97	11.28	2.81	.375	1.289	6.50	1.500	4	1/2-13	6.19	5.31	0.63	5/8	8
6	5506	16.00	9.50	11.00	1.00	—	9.50	8.72	15.72	4.75	.500	1.845	8.00	2.125	4	1/2-13	8.00	7.00	0.63	3/4	8
8	5508	18.00	11.50	13.50	1.13	—	11.44	9.41	17.78	4.00	.625	2.402	9.00	2.750	8	5/8-11	10.00	8.38	0.75	3/4	8
10	5510	22.00	14.25	16.00	1.19	2	12.44	9.78	19.66	4.81	.625	2.402	11.00	2.750	8	5/8-11	10.00	9.88	0.75	7/8	12
12	5512	24.00	17.00	19.00	1.25	2	13.88	9.78	21.41	4.88	.750	2.704	12.00	3.125	8	5/8-11	10.00	11.63	0.75	7/8	12

ANSI CLASS 125 3-WAY TAPERED PLUG VALVE WITH BARE STEM

DATE 9-19-11



VALVE AND MANUFACTURING CORP.

DRWG. NO.

VMC-5504/BS