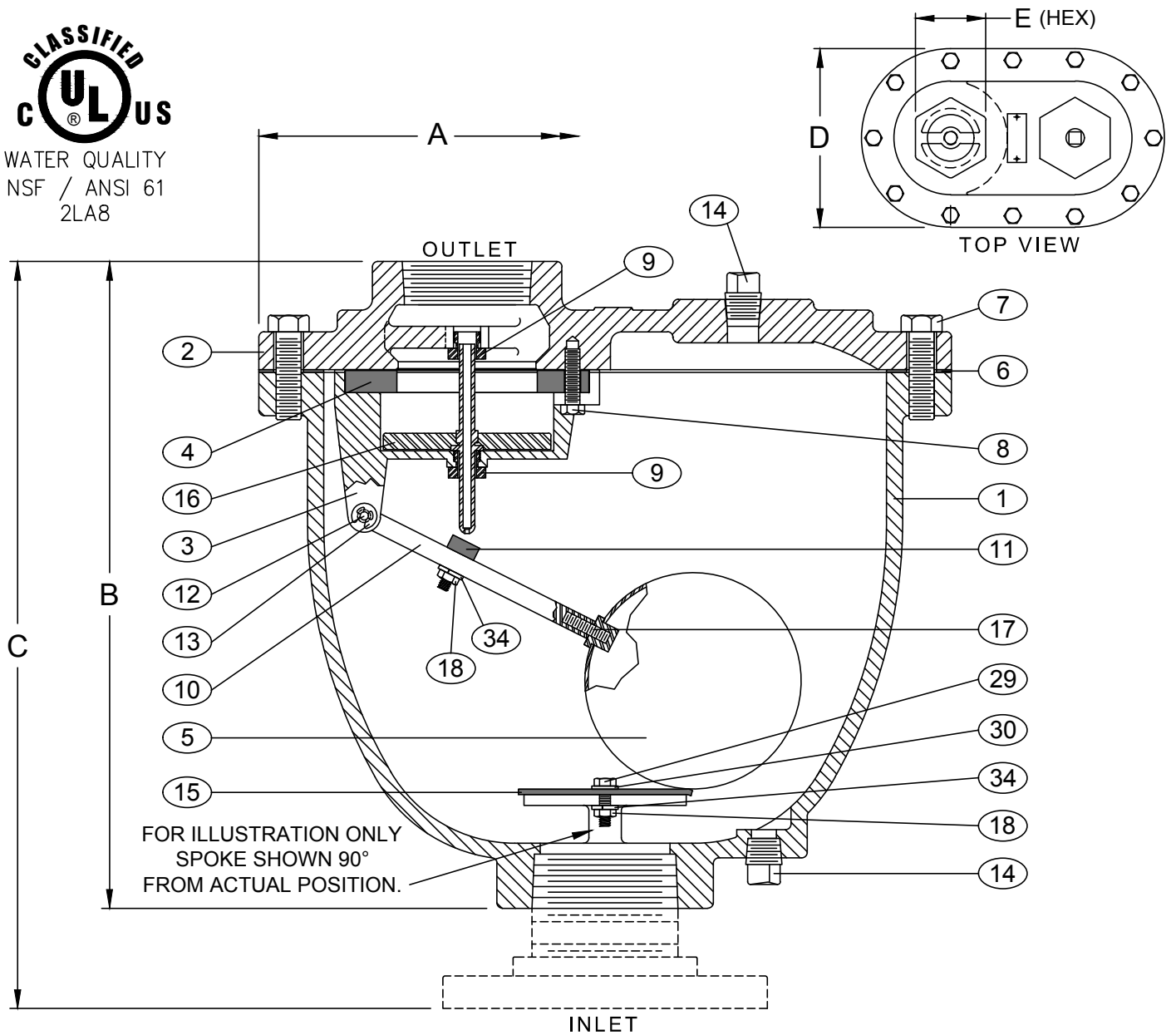




WATER QUALITY  
NSF / ANSI 61  
2LA8



SEE DRAWING NO. VM-201C-M FOR STANDARD MATERIALS OF CONSTRUCTION  
SEE DRAWING NO. VM-201CDISV-M FOR SUPER VALVE MATERIALS OF CONSTRUCTION.

VALVE SIZE	MODEL NUMBER	A	B	C	D	E	INLET SIZE	OUTLET SIZE	ORIFICE SIZE	CWP PSI	INLET FLANGE
3"	203C.2	16.00	15.00	—	9.63	4.38	3" NPT	3" NPT	3/32"	300	—
3"	203C.14	16.00	—	16.75	9.63	4.38	3" 125 LB.	3" NPT	3/32"	150	SPK-003F *
4"	204C.14	18.50	—	19.00	11.00	5.38	4" 125 LB.	4" NPT	3/32"	150	INTEGRAL
3"	203C.15	16.00	—	17.25	9.63	4.38	3" 250 LB.	3" NPT	3/32"	300	SPK-203F *
4"	204C.15	18.50	—	20.25	11.00	5.38	4" 250 LB.	4" NPT	3/32"	300	SPK-204F *

\* OPTIONAL INLET FLANGE SHIPPED LOOSE.

- |          |                    |                   |                     |
|----------|--------------------|-------------------|---------------------|
| 1 BODY   | 7 COVER BOLTS      | 13 RETAINING RING | 29 CUSHION RETAINER |
| 2 COVER  | 8 RETAINING SCREWS | 14 PIPE PLUG      | 30 WASHER           |
| 3 BAFFLE | 9 BUSHING          | 15 CUSHION        | 34 LOCK WASHER      |
| 4 SEAT   | 10 FLOAT ARM       | 16 PLUG           |                     |
| 5 FLOAT  | 11 ORIFICE BUTTON  | 17 FLOAT RETAINER |                     |
| 6 GASKET | 12 PIVOT PIN       | 18 LOCK NUT       |                     |

Revised 8-25-16 (Rev 2)

COMBINATION AIR VALVE (SINGLE BODY TYPE)

DATE 10-9-12

**VAL-MATIC**<sup>®</sup>

VALVE AND MANUFACTURING CORP.

DRWG. NO.

VMC-203C