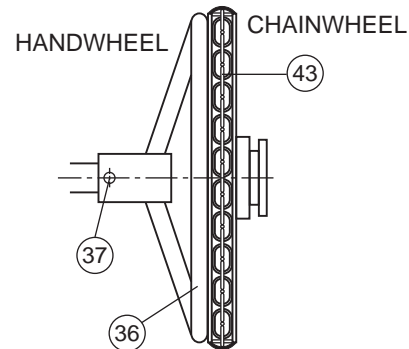
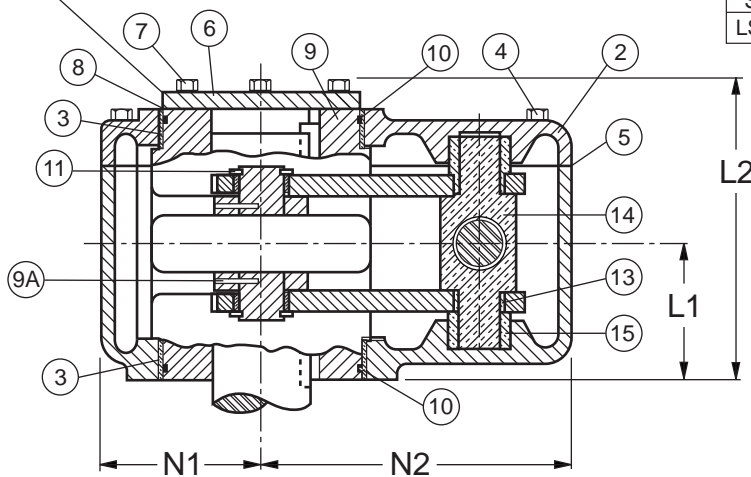


DIMENSION, INCHES								
ACT. SIZE	NO. OF TURNS	C	D	E	F	G	H	J
LS-5A	63	4.00	0.50	4.88	0.25	2.56	2.90	0.44

DIMENSION, INCHES								
ACT. SIZE	K	L1	L2	M1	M2	N1	N2	P
LS-5A	8.50	5.13	10.91	19.63	17.75	6.25	12.13	1.25



Revised 5-19-11

TRAVELING NUT ACTUATOR

DATE 8-22-08