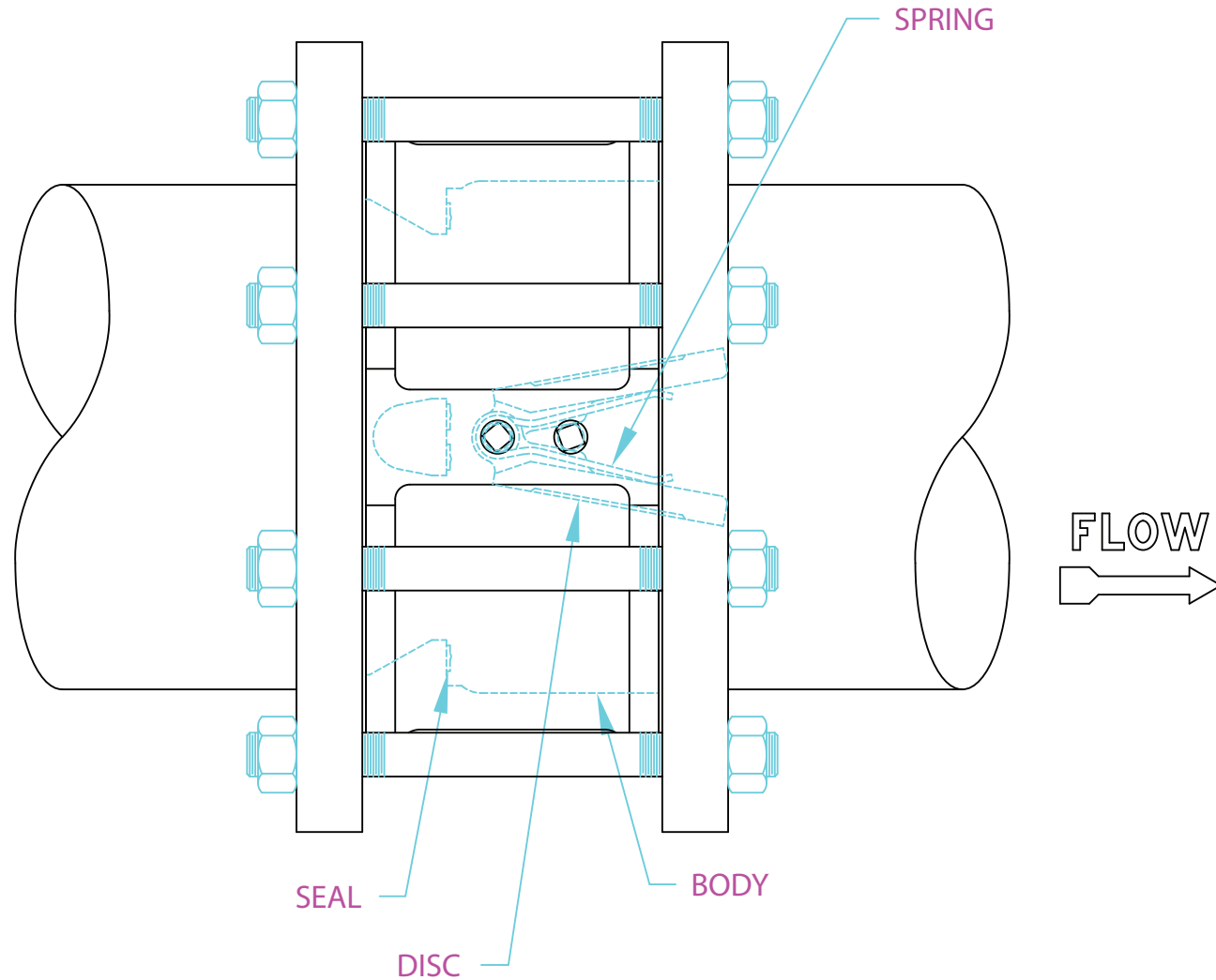


NOTE:

FOR HORIZONTAL FLOW APPLICATION, VALVE MUST BE INSTALLED WITH THE DISC HINGE PIN IN THE VERTICAL POSITION TO INSURE PROPER OPERATION.



**DUAL DISC
CHECK VALVE DETAIL**

NO SCALE

VM-DD02-001-0