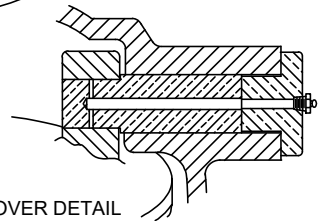
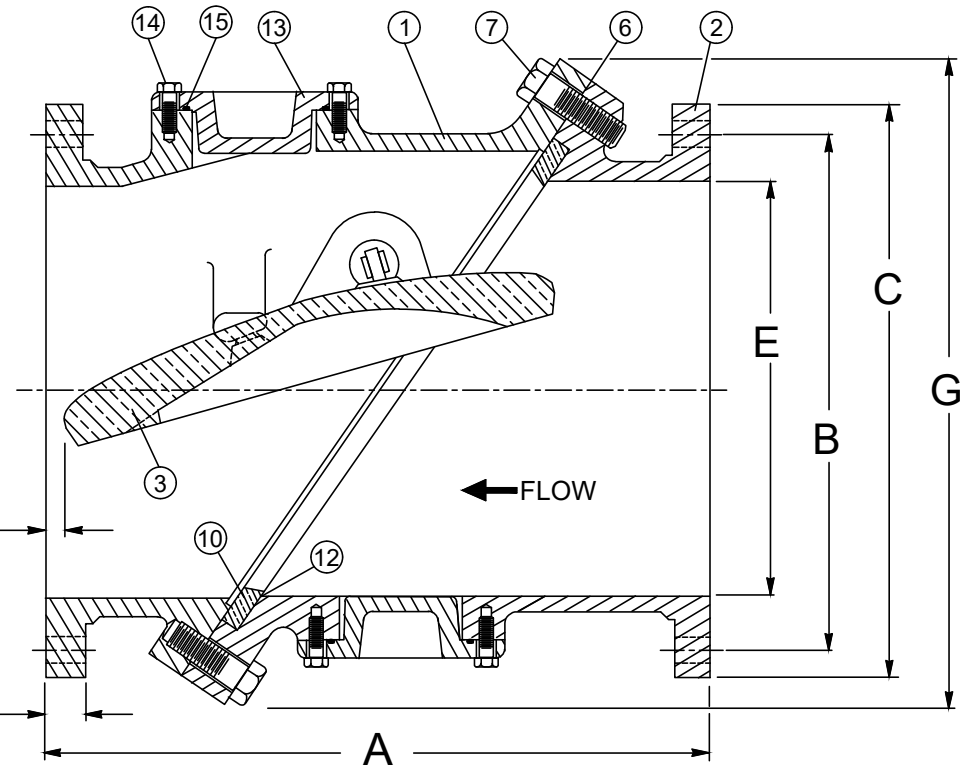


DISC POSITION INDICATOR IS NOT AVAILABLE ON VALVE SIZES 3" THRU 4"



PIVOT PIN COVER DETAIL
VALVE SIZES 3" THRU 6"



INSPECTION HOLE PORTS NOT FURNISHED ON VALVE SIZES 3" THRU 4"

SEE DRAWING NO. VM-9602-M FOR ANSI CLASS 150 MATERIALS OF CONSTRUCTION.

ANSI CLASS 150											
VALVE SIZE	MODEL NO.	A	B	C	D	E	F	G	H	BOLT SIZE	NO. OF BOLTS
3	9603	9 1/2	6	7 1/2	15/16	3	12	9	2 1/4	5/8	4
4	9604	11 1/2	7 1/2	9	15/16	4	13	10	2 5/8	5/8	8
6	9606	15	9 1/2	11	1	6	16	13	2 7/8	3/4	8
8	9608	19 1/2	11 3/4	13 1/2	1 1/8	8	19	16	3 1/2	3/4	8
10	9610	24 1/2	14 1/4	16	1 3/16	10	23	18	4 1/2	7/8	12

Revised 4-1-20

ANSI CLASS 150 TILTED DISC® CHECK VALVE

DATE 1-18-99



VALVE AND MANUFACTURING CORP.

DRWG. NO.

VM-9602