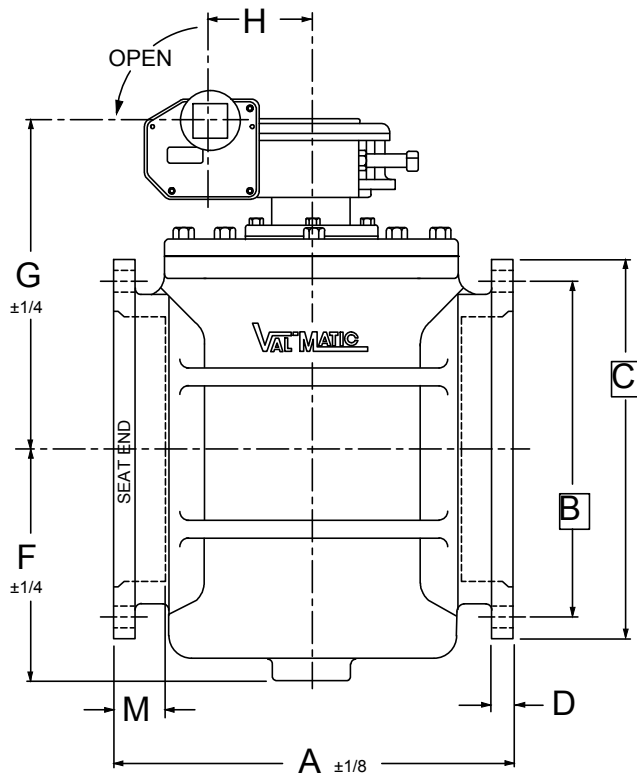


COLD WORKING PRESSURE  
150 P.S.I.  
HYDRO TEST PRESSURE  
225 P.S.I.



SEE DRAWING NO. VM-5842R-M FOR STANDARD MATERIALS OF CONSTRUCTION.

VALVE SIZE	MODEL NO.	PRESS. RATING P.S.I.		A	B	C	D	F	G	H	J	K	M	BOLT SIZE	NO. OF BOLTS	% OF STD. WT. PIPE
		DIRECT	REVERSE													
42	5942R/8Z02	150	150	70.00	50.63	53.13	2.00	36.50	42.85	10.90	48.55	27.60	8.00	1 1/4	28	75
48	5948R/8Z02	150	150	84.00	57.50	60.00	2.00	38.50	48.46	10.90	54.16	27.60	12.00	1 1/4	32	104

Revised 6-15-18

CAM-CENTRIC® MECHANICAL JOINT PLUG VALVE WITH BURIED WORM GEAR ACTUATOR

DATE 7-22-10

**VALMATIC**®

VALVE AND MANUFACTURING CORP.

DRWG. NO.

VM-5942R/BWGA