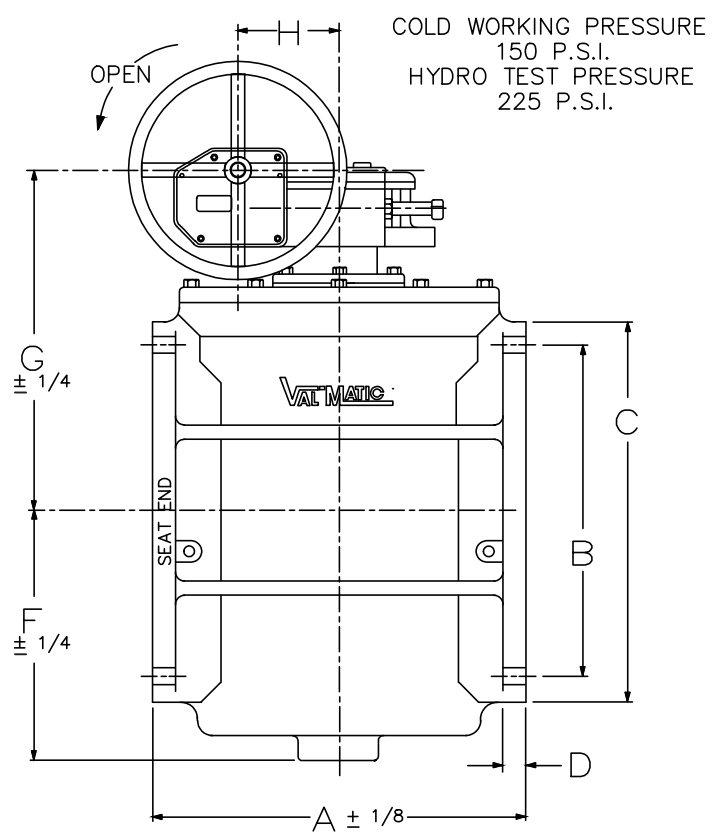


FLANGE DRILLING CONFORMS TO  
ANSI B16.1 CLASS 125



SEE DRAWING NO. VM-5842R-M FOR STANDARD MATERIALS OF CONSTRUCTION. END FLANGE DRILLING CONFORMS TO ANSI B16.1

VALVE SIZE	MODEL NO.	PRESS. RATING P.S.I.		HD. WHEEL DIA.	A	B	C	D	E Qty	E Tap	E Deep	F	G	H	J	K	BOLT NO. SIZE	NO. OF BOLTS	NO. OF TURNS	% OF STD. WT. PIPE
		REVERSE	DIRECT																	
42	5842R/7X30	50	100	30	62.00	49.50	53.00	2.63	12	11/2-6	2.63	36.50	44.00	14.00	49.00	25.25	11/2	36	630	75
	5842R/7Z36	150	150	36																
48	5848R/7X30	50	100	30	84.00	56.00	59.50	2.75	—	—	—	38.50	48.46	10.90	54.16	27.60	11/2	44	630	104
	5848R/7Z36	150	150	36																
54	5854R/7X30	50	100	30	96.00	62.75	66.25	3.00	—	—	—	38.50	48.46	10.90	54.16	27.60	13/4	44	630	82
	5854R/7Z36	150	150	36																

Revised 6-15-18

ANSI CLASS 125 CAM-CENTRIC® FLANGED PLUG VALVE WITH WORM GEAR ACTUATOR

DATE 7-22-10



VALVE AND MANUFACTURING CORP.

DRWG. NO.

VM-5842R/WGA