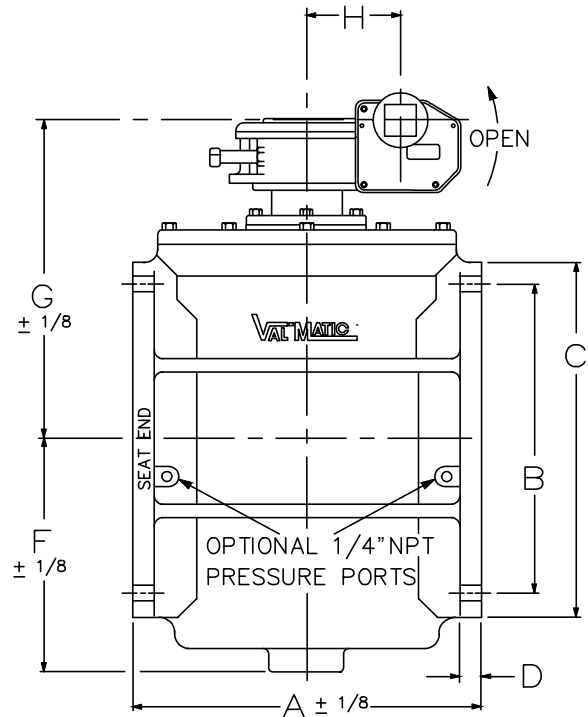
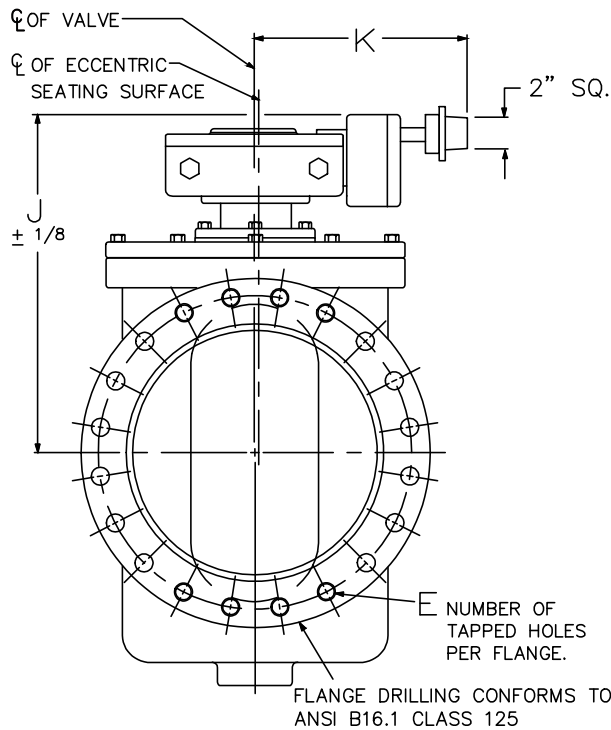


COLD WORKING PRESSURE
250 P.S.I.
HYDRO TEST PRESSURE
375 P.S.I.



SEE DRAWING NO. VM-5804HP-M FOR STANDARD MATERIALS OF CONSTRUCTION.

VALVE SIZE	MODEL NO.	PRESS. RATING P.S.I.		A	B	C	D	E Qty	E Tap	E Deep	F	G	H	J	K	BOLT SIZE	NO. OF BOLTS	NO. OF TURNS
		REVERSE	DIRECT															
14	5814HP/8F02	250	250	17.00	18.75	21.00	1.38	4	1-8	1.56	13.0	19.3	5.62	22.0	13.0	1	12	20
16	5816HP/8F02	250	250	17.75	21.25	23.50	1.44	8	1-8	1.44	14.5	20.6	5.62	23.1	13.0	1	16	20
18	5818HP/8K02	250	250	21.50	22.75	25.00	1.56	8	1 1/8-7	1.87	16.3	25.0	7.30	26.7	14.5	1 1/8	16	60
20	5820HP/8K02	250	250	23.50	25.00	27.50	1.69	8	1 1/8-7	1.87	17.5	26.3	7.30	27.9	14.5	1 1/8	20	60
24	5824HP/8L02	250	250	30.00	29.50	32.00	1.88	12	1 1/4-7	1.87	20.3	29.0	6.00	30.4	23.3	1 1/4	20	90

ANSI CLASS 125 CAM-CENTRIC® FLANGED PLUG VALVE WITH BURIED SERVICE WORM GEAR ACTUATOR

DATE 6-12-19



VALVE AND MANUFACTURING CORP.

DRWG. NO.
VM-5814HP/BWGA