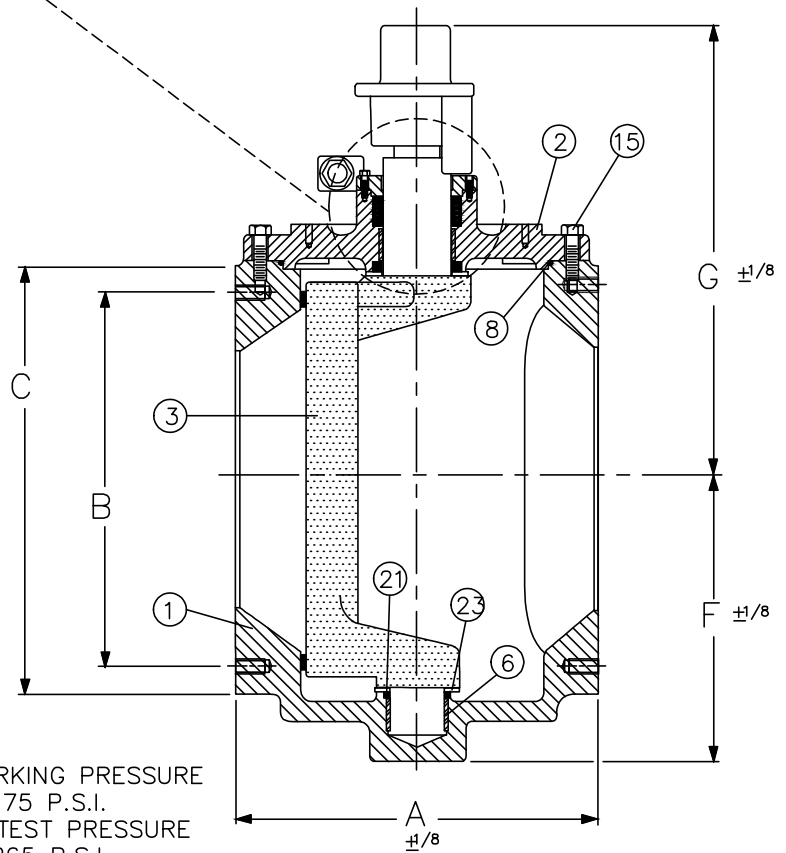


E NUMBER OF TAPPED HOLES PER FLANGE.



COLD WORKING PRESSURE
175 P.S.I.
HYDRO TEST PRESSURE
265 P.S.I.

SEE DRAWING NO. VM-5804RN-M FOR STANDARD MATERIALS OF CONSTRUCTION.

VALVE SIZE	MODEL NO.	Press. Rating P.S.I.		A	B	C	D	E QTY	E TAP	E DEEP	F	G	BOLT SIZE	NO. OF BOLTS	% OF STD. WT. PIPE
		Reverse	Direct												
2	5802RN	175	175	7.50	4.75	6.00	0.68	4	5/8 - 11	1.00	4.50	9.62	5/8	4	100
2 1/2	5825RN	175	175	7.50	5.50	7.00	0.68	4	5/8 - 11	1.00	4.50	9.62	5/8	4	150
3	5803RN	175	175	8.00	6.00	7.50	0.75	2	5/8 - 11	1.00	4.50	9.62	5/8	4	100
4	5804RN	175	175	9.00	7.50	9.00	0.75	0	—	—	5.56	10.93	5/8	8	100
6	5806RN	50	100	10.50	9.50	11.00	0.75	4	3/4 - 10	1.25	7.06	12.31	3/4	8	85
8	5808RN	50	100	11.50	11.75	13.50	0.88	4	3/4 - 10	1.25	8.75	13.88	3/4	8	85

Revised 6-8-18

ANSI CLASS 125 FLANGED CAM-CENTRIC® RECTANGULAR PLUG VALVE WITH DIRECT NUT

DATE 3-15-96

VAL-MATIC®

VALVE AND MANUFACTURING CORP.

DRWG. NO.

VM-5804RN