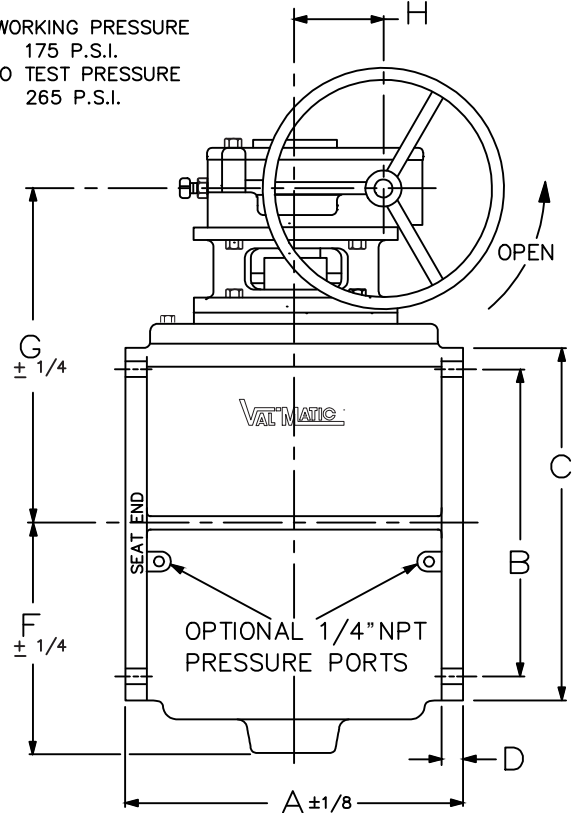


COLD WORKING PRESSURE  
175 P.S.I.  
HYDRO TEST PRESSURE  
265 P.S.I.



SEE DRAWING NO. VM-5804RN-M FOR STANDARD MATERIALS OF CONSTRUCTION.

VALVE SIZE	MODEL NO.	PRESS. RATING P.S.I.		A	B	C	D	E (Qty.)	E (Tap)	E (Deep)	F	G	H	J	K	BOLT SIZE	NO. OF BOLTS	NO. OF TURNS	% OF STD. WT. PIPE
		REVERSE	DIRECT																
2 1/2	5825R/7A08A	175	175	7.50	5.50	7.00	0.69	4	5/8-11	0.69	4.50	7.50	3.06	10.00	9.50	5/8	4	12.5	150
3	5803R/7A08A	175	175	8.00	6.00	7.50	0.75	2	5/8-11	1.00	4.50	7.50	3.06	10.00	9.50	5/8	4	12.5	100
4	5804R/7A08	175	175	9.00	7.50	9.00	0.75	0	—	—	5.56	9.31	3.06	11.18	9.50	5/8	8	12.5	100
5	5805R/7A08	175	175	10.50	8.50	11.00	0.75	8	3/4-10	75	7.06	11.06	3.06	12.94	9.50	3/4	8	12.5	85
6	5806R/7A08	175	175	10.50	9.50	11.00	0.75	4	3/4-10	1.25	7.06	11.06	3.06	12.94	9.50	3/4	8	12.5	85
8	5808R/7A12	100	175	11.50	11.75	13.50	0.88	4	3/4-10	1.25	8.75	12.62	3.06	14.50	11.50	3/4	8	12.5	85
	5808R/7B16	175	175												9.38				
10	5810R/7C12	100	175	13.00	14.25	16.00	1.00	4	7/8-9	1.25	10.44	16.25	4.75	19.00	13.13	7/8	12	20	85
	5810R/7D16	175	175												11.00				
12	5812R/7C16	100	175	14.00	17.00	19.00	1.25	4	7/8-9	1.25	12.50	17.69	4.75	20.44	11.00	7/8	12	20	86
	5812R/7D24	175	175												16.75				

ANSI CLASS 125 FLANGED CAM-CENTRIC® PLUG VALVE WITH WORM GEAR ACTUATOR

DATE Revised 6-15-20  
3-21-96

**VAL-MATIC**® VALVE AND MANUFACTURING CORP.

DRWG. NO.  
VM-5804R/WGA