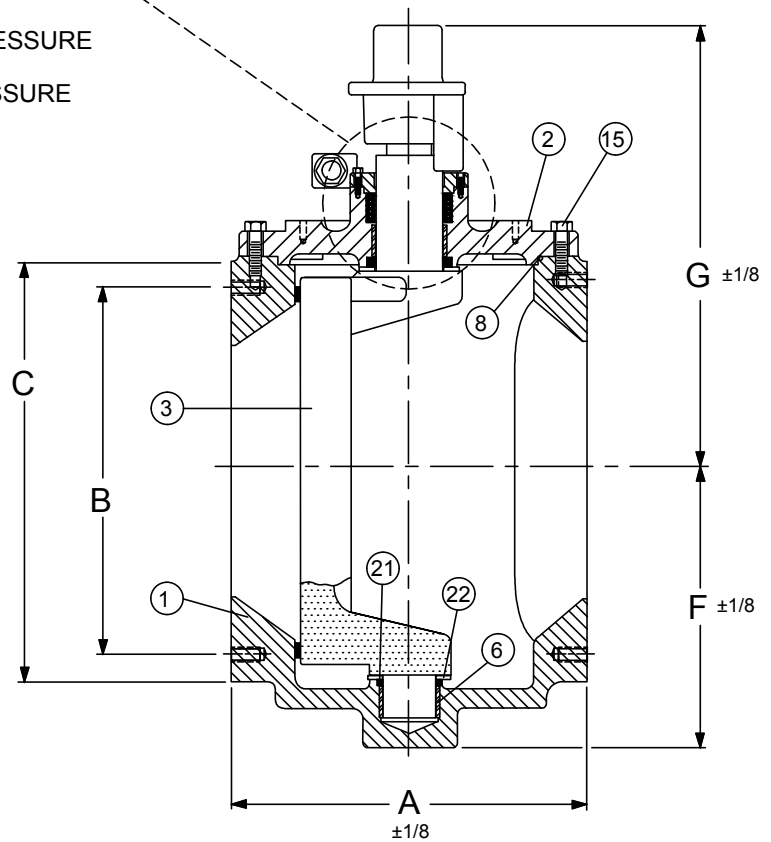


COLD WORKING PRESSURE
175 P.S.I.
HYDRO TEST PRESSURE
265 P.S.I.

E NUMBER OF
TAPPED HOLES
PER FLANGE.

H DEEP



SEE DRAWING NO. VM-5606FN-M FOR STANDARD MATERIALS OF CONSTRUCTION.

VALVE SIZE	MODEL NO.	Press. Rating P.S.I.		A	B	C	D	E	F	G	H	BOLT SIZE	NO. OF BOLTS
		Reverse	Direct										
6	5606FN	50	100	10 $\frac{1}{2}$	9 $\frac{1}{2}$	11	1	4	7 $\frac{1}{16}$	12 $\frac{9}{16}$	1 $\frac{1}{4}$	3/4-10	8
8	5608FN	25	50	11 $\frac{1}{2}$	11 $\frac{3}{4}$	13 $\frac{1}{2}$	1 $\frac{1}{8}$	4	8 $\frac{3}{4}$	14	1 $\frac{3}{8}$	3/4-10	8

REV 9-7-17

100% PORT ANSI CLASS 125 FLANGED CAM-CENTRIC® PLUG VALVE WITH DIRECT NUT

DATE 7-25-16



VALVE AND MANUFACTURING CORP.

DRWG. NO.

VM-5606FN