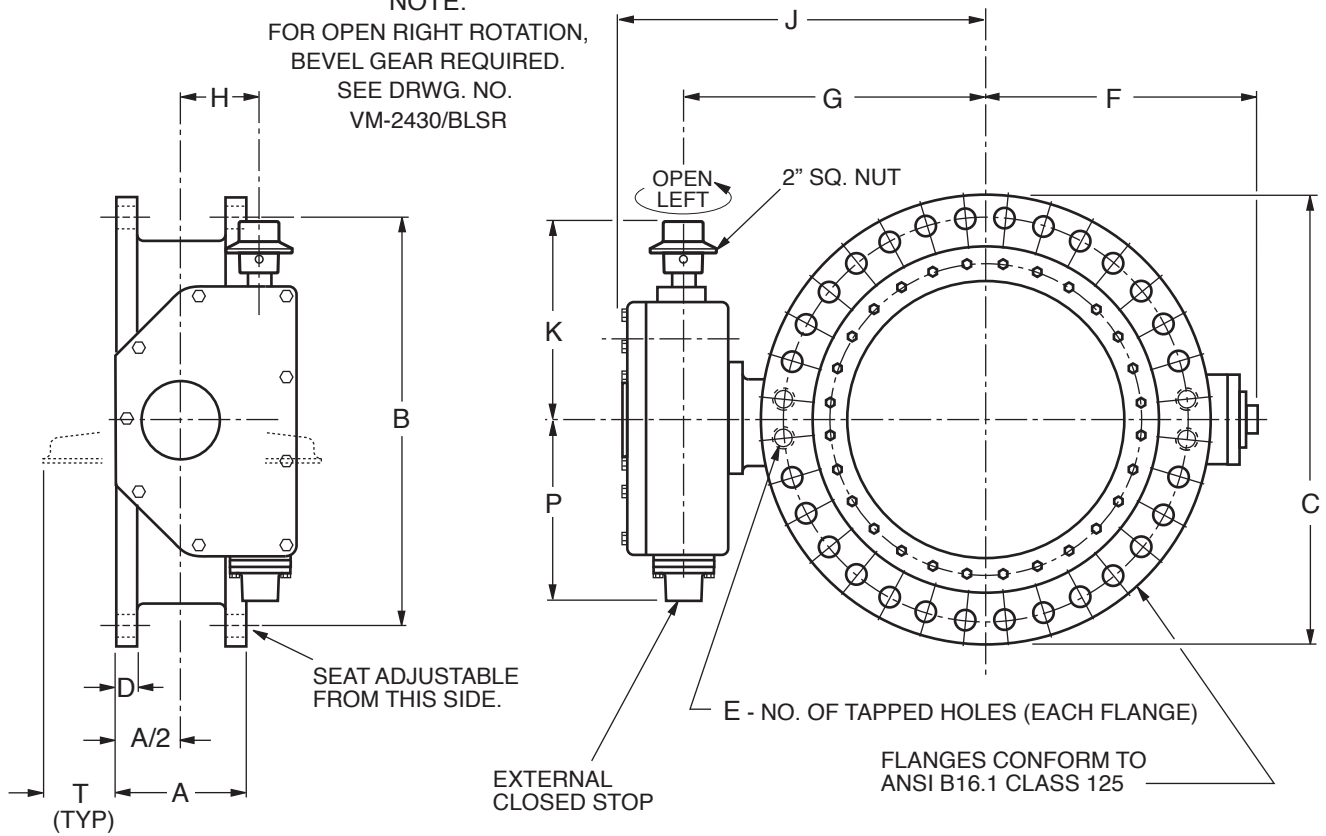


NOTE:
FOR OPEN RIGHT ROTATION,
BEVEL GEAR REQUIRED.
SEE DRWG. NO.
VM-2430/BLSR



COLD WORKING PRESSURE 250 PSI (250B)

CLASS 125 LB. DUCTILE IRON DIMENSIONS, INCHES

VALVE SIZE	AWWA C504 CLASS	A	B	C	D	E Qty.	E Tap	E Deep	F	G	H	J	K	P	T	TURNS TO OPEN	NO. OF BOLTS	BOLT SIZE	ACTUATOR SIZE	SHPG. WT. LBS.
30	250B	12.00	36.00	38.75	2.12	4	1 1/4-7	2.00	27.38	29.12	8.50	34.50	20.50	17.75	8.81	63	28	1.25	LS-5A	2435
36	250B	12.00	42.75	46.00	2.38	4	1 1/2-6	2.38	29.50	31.88	8.50	37.25	20.50	17.75	11.81	63	32	1.50	LS-5A	3425

Revised 1-22-14

250B/125 LB. DUCTILE IRON FLANGED BUTTERFLY VALVE WITH BURIED SERVICE ACTUATOR

DATE 3-14-11



VALVE AND MANUFACTURING CORP.

DRWG. NO.

VM-2430/BLS