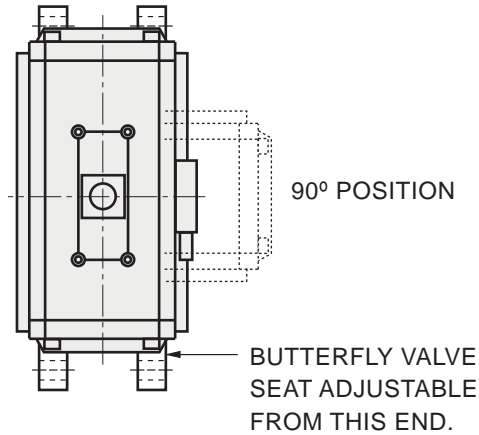
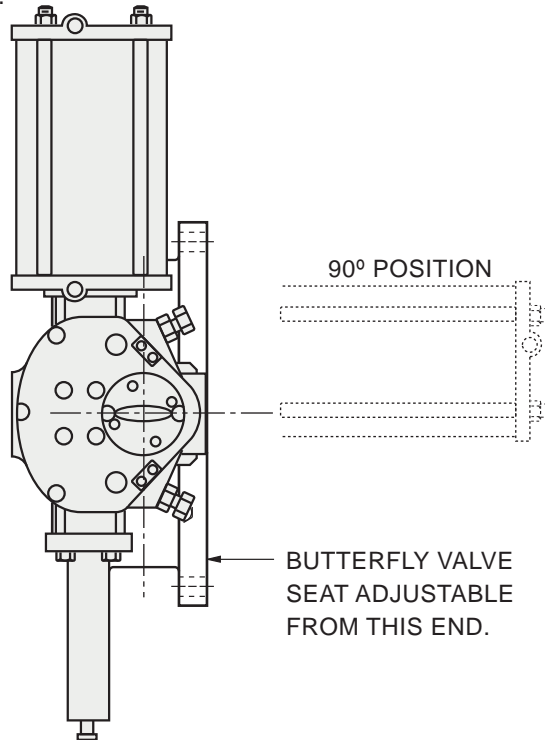


STANDARD POSITION
UNLESS OTHERWISE
SPECIFIED.



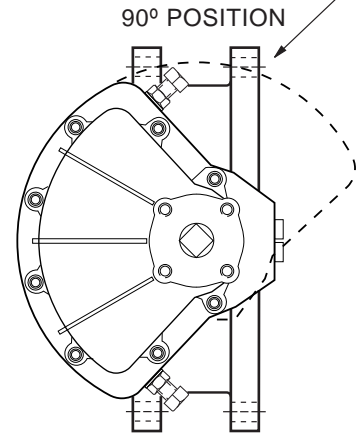
TYPICAL PCA RACK AND PINION TYPE

STANDARD POSITION
UNLESS OTHERWISE
SPECIFIED.



TYPICAL PCA WITH SEPARATE LEVER HOUSING

BUTTERFLY VALVE
SEAT ADJUSTABLE
FROM THIS END.



TYPICAL VANE TYPE ACTUATOR

STANDARD POSITION
UNLESS OTHERWISE
SPECIFIED.

Revised 9-17-08

BUTTERFLY VALVE CYLINDER ACTUATOR (PCA) MOUNTING POSITIONS

DATE 6-7-07

VALMATIC[®] VALVE AND MANUFACTURING CORP.

DRWG. NO.
VM-2000/PCA