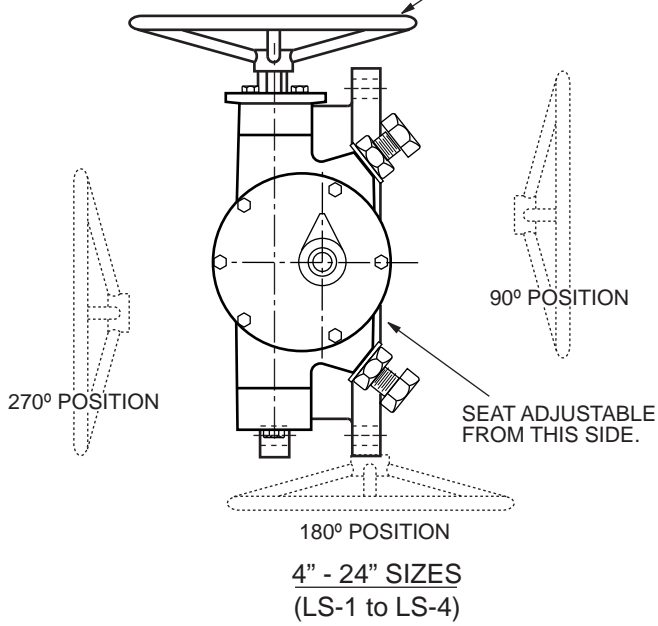
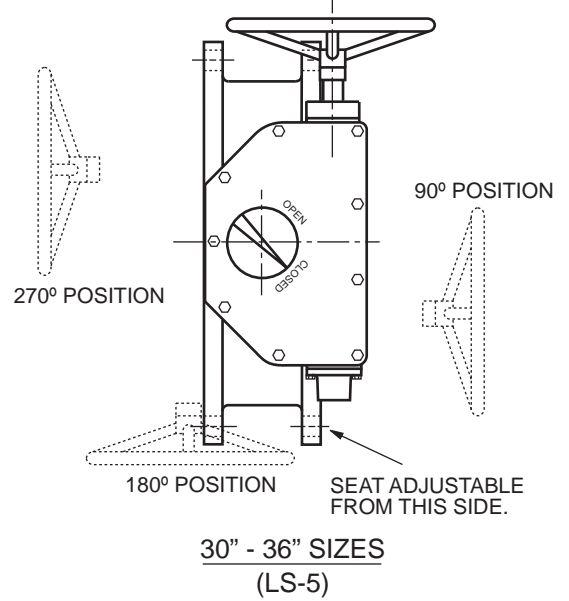


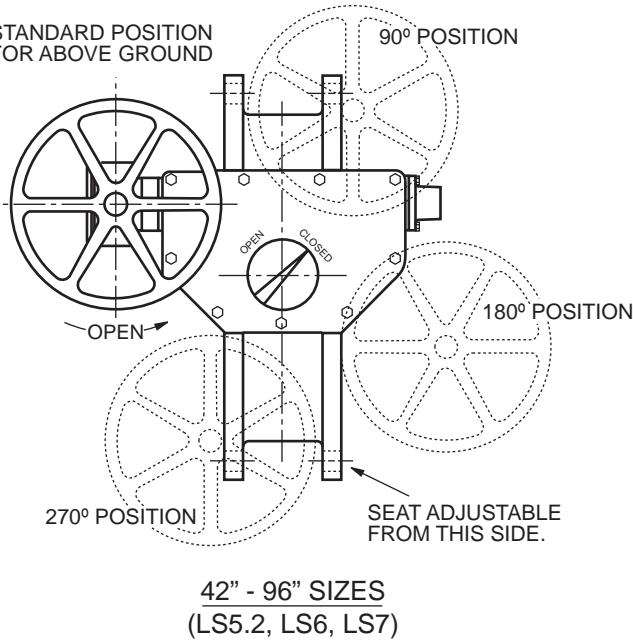
STANDARD POSITION
UNLESS OTHERWISE SPECIFIED



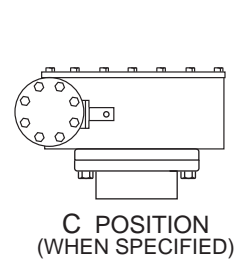
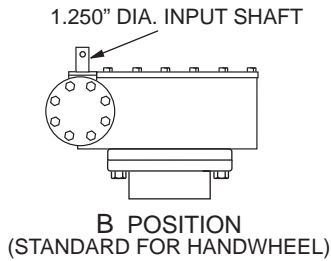
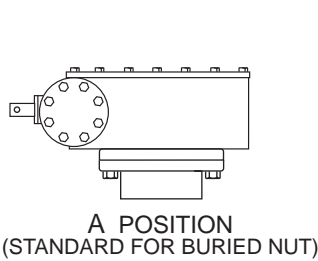
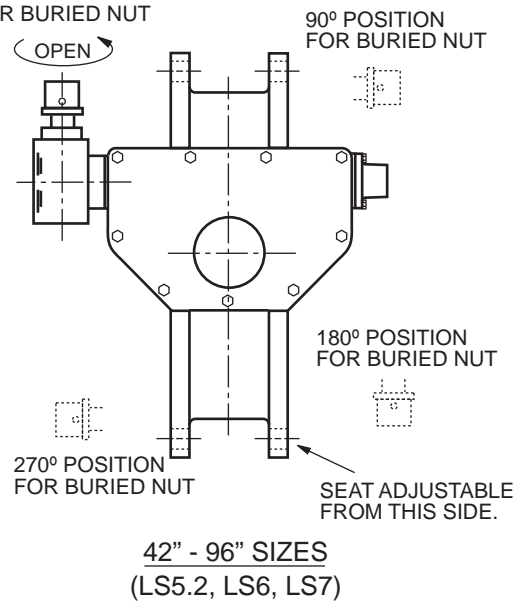
STANDARD POSITION
UNLESS OTHERWISE SPECIFIED



STANDARD POSITION
FOR ABOVE GROUND



STANDARD POSITION
FOR BURIED NUT



LS5.2, LS6, AND LS7 BEVEL GEAR POSITIONS.

Revised 3-8-11

BUTTERFLY VALVE TRAVELING NUT ACTUATOR MOUNTING POSITIONS

DATE 5-23-02

VAL-MATIC® VALVE AND MANUFACTURING CORP.

DRWG. NO.
VM-2000/LSA