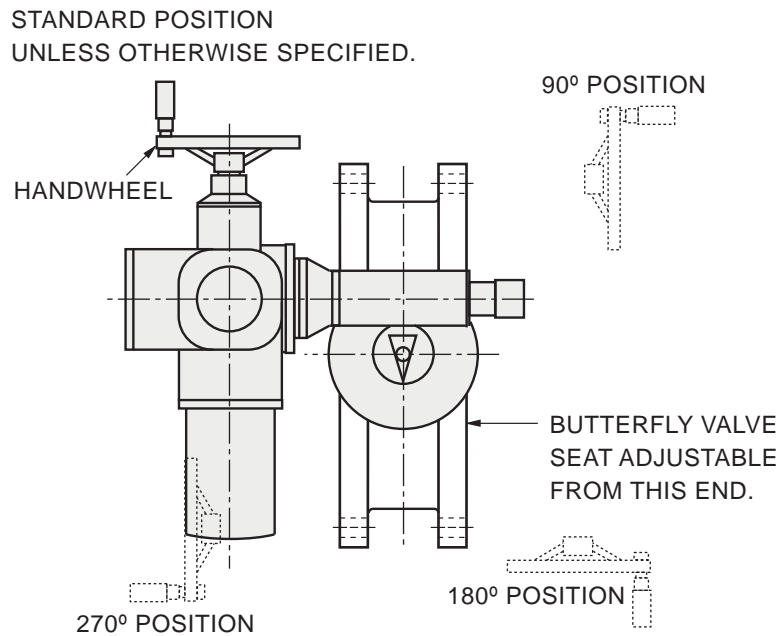


TYPICAL EMA WITH INTEGRAL WORM GEAR



TYPICAL EMA WITH SEPARATE WORM GEAR

BUTTERFLY VALVE ELECTRIC MOTOR ACTUATOR (EMA) MOUNTING POSITIONS

DATE 6-7-07

**VAL-MATIC**<sup>®</sup> VALVE AND MANUFACTURING CORP.

DRWG. NO.

VM-2000/EMA