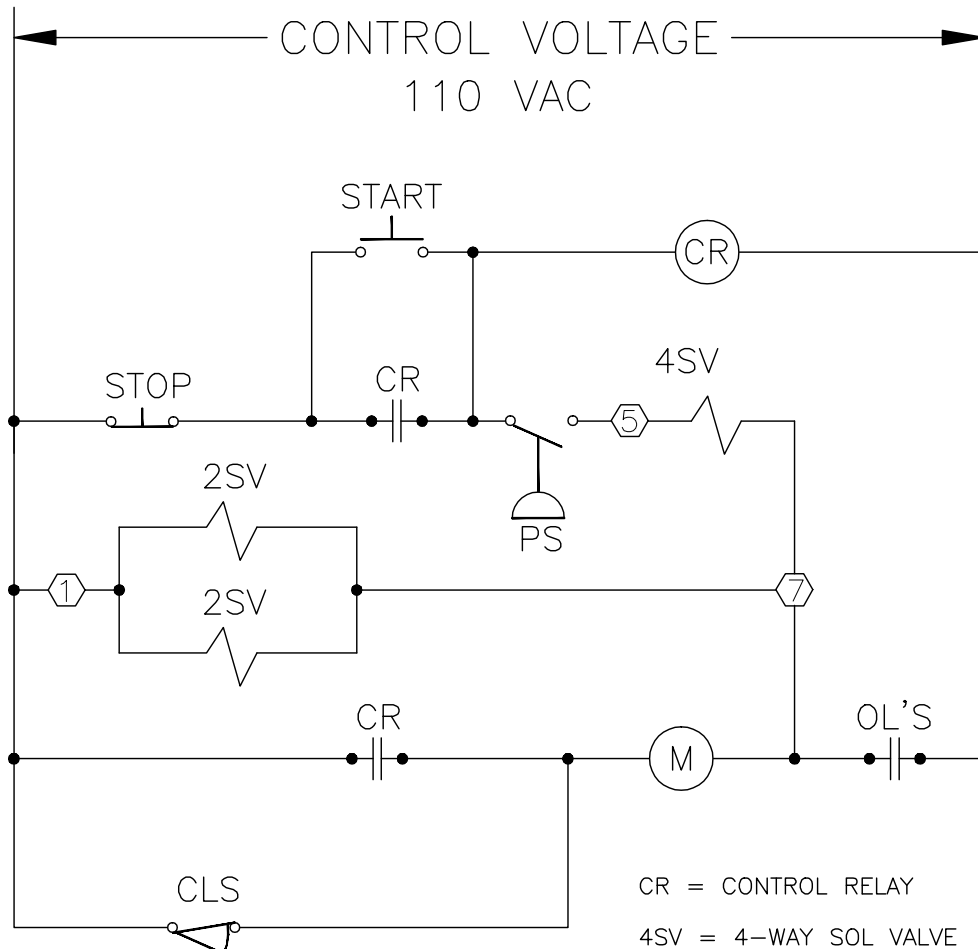


HYDRAULIC PANEL  
PUMP CONTROL SYSTEM  
TYPICAL WIRING DIAGRAM



- CR = CONTROL RELAY
- 4SV = 4-WAY SOL VALVE
- PS = PRESSURE SWITCH
- 2SV = 2-WAY SOL VALVE
- M = MOTOR STARTER
- OL'S = OVERLOADS
- CLS = CLOSED LIMIT SWITCH
- ⬡ = TERMINALS IN HYDRAULIC PANEL

Revised 8-20-08

HYDRAULIC PANEL PUMP CONTROL SYSTEM TYPICAL WIRING DIAGRAM

DATE 6/26/08

**VAL-MATIC**

VALVE AND MANUFACTURING CORP.

DRWG. NO.

SSC-2301