

QUADROSPHERE TOPWORKS DIMENSIONS, INCHES & MILLIMETERS - TABLE 1

SIZE (NPS)	PRESS. CLASS ASME	A STEM DIA.	B KEY WIDTH	C KEY HEIGHT	D FLANGE HOLE DIA.	H STEM HEIGHT	T FLANGE THICKNESS	ISO 5211 BOLT CIRCLE	PARALLEL PIN Ø (TYP 2)	SIZE (DN)
2	150	0.87 22	0.24 6	0.24 6	0.47 12	1.57 40	0.59 15	F10	N/A	50
	300	0.87 22	0.24 6	0.24 6	0.47 12	1.57 40	0.59 15	F10	N/A	
	600	0.98 25	0.31 8	0.28 7	0.55 14	1.57 40	0.59 15	F12	N/A	
	900	0.98 25	0.31 8	0.28 7	0.55 14	1.57 40	0.59 15	F12	N/A	
	1500	0.98 25	0.31 8	0.28 7	0.55 14	1.57 40	0.59 15	F12	N/A	
	2500	1.38 35	0.39 10	0.31 8	0.71 18	2.16 55	0.79 20	F14	N/A	
3	150	1.18 30	0.31 8	0.28 7	0.55 14	1.57 40	0.59 15	F12	N/A	80
	300	1.18 30	0.31 8	0.28 7	0.55 14	1.57 40	0.59 15	F12	N/A	
	600	1.38 35	0.39 10	0.31 8	0.71 18	2.16 55	0.79 20	F14	N/A	
	900	1.38 35	0.39 10	0.31 8	0.71 18	2.16 55	0.79 20	F14	N/A	
	1500	1.38 35	0.39 10	0.31 8	0.71 18	2.16 55	0.79 20	F14	N/A	
	2500	1.57 40	0.47 12	0.39 10	0.71 18	2.20 56	0.91 23	F16	N/A	
4	150	1.18 30	0.31 8	0.28 7	0.55 14	1.57 40	0.59 15	F12	N/A	100
	300	1.18 30	0.31 8	0.28 7	0.55 14	1.57 40	0.59 15	F12	N/A	
	600	1.57 40	0.47 12	0.39 10	0.71 18	2.20 56	0.91 23	F16	N/A	
	900	1.57 40	0.47 12	0.39 10	0.71 18	2.20 56	0.91 23	F16	N/A	
	1500	1.57 40	0.47 12	0.39 10	0.71 18	2.20 56	0.91 23	F16	N/A	
	2500	2.16 55	0.63 16	0.39 10	0.87 22	3.18 80	0.79 20	F16	N/A	

NOTES:

1. Dimensions are based upon nominal bore of ball and apply to FULL PORT sizes from 2.0 NPS (DN50) to 4.0 NPS (DN100).
2. All topworks mounting flanges comply with ISO 5211 as it relates to dimensional standards.
3. Custom mounting topworks are available. Contact Val-Matic for additional information.
4. Additional materials and design configurations are available. Please contact Val-Matic for additional assistance and/or information.

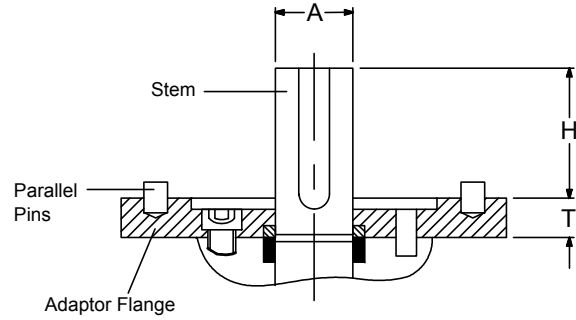
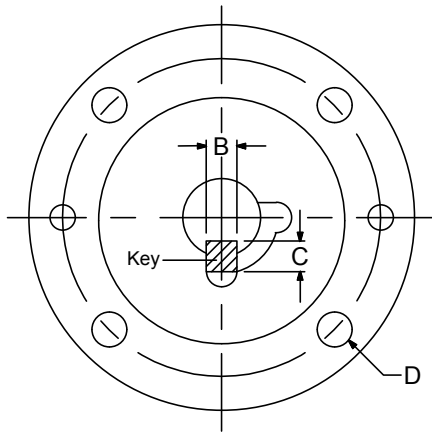
REV 8-31-18

QUADROSPHERE ADAPTOR FLANGE ISO5211

DATE 11-30-15

**VAL-MATIC**® VALVE AND MANUFACTURING CORP.

DRWG. NO.  
**SS-3301**  
Sheet 1 of 4



QUADROSPHERE TOPWORKS DIMENSIONS, INCHES & MILLIMETERS - TABLE 2

SIZE (NPS)	PRESS. CLASS ASME	A STEM DIA.	B KEY WIDTH	C KEY HEIGHT	D FLANGE HOLE DIA.	H STEM HEIGHT	T FLANGE THICKNESS	ISO 5211 BOLT CIRCLE	PARALLEL PIN Ø (TYP 2)	SIZE (DN)
6	150	1.57 40	0.47 12	0.31 8	0.71 18	2.36 60	0.79 20	F14	0.63 16	150
	300	1.57 40	0.47 12	0.31 8	0.71 18	2.36 60	0.79 20	F14	0.63 16	
	600	1.77 45	0.55 14	0.35 9	0.87 22	2.56 65	0.79 20	F16	0.63 16	
	900	1.77 45	0.55 14	0.35 9	0.87 22	2.56 65	0.79 20	F16	0.63 16	
	1500	2.36 60	0.71 18	0.43 11	0.87 22	3.15 80	0.79 20	F16	0.63 16	
	2500	2.36 60	0.71 18	0.43 11	0.87 22	3.15 80	0.79 20	F16	0.63 16	
8	150	1.77 45	0.55 14	0.35 9	0.87 22	2.56 65	0.79 20	F16	0.63 16	200
	300	1.77 45	0.55 14	0.35 9	0.87 22	2.56 65	0.79 20	F16	0.63 16	
	600	2.36 60	0.71 18	0.43 11	0.87 22	3.15 80	0.79 20	F16	0.63 16	
	900	2.36 60	0.71 18	0.43 11	0.87 22	3.15 80	0.79 20	F16	0.63 16	
	1500	2.95 75	0.79 20	0.47 12	0.71 18	3.94 100	0.91 23	F25	0.63 16	
	2500	3.15 80	0.87 22	0.55 14	0.71 18	4.33 110	0.91 23	F25	0.63 16	
10	150	2.17 55	0.63 16	0.39 10	0.87 22	3.15 80	0.79 20	F16	0.63 16	250
	300	2.17 55	0.63 16	0.39 10	0.87 22	3.15 80	0.79 20	F16	0.63 16	
	600	2.36 60	0.71 18	0.43 11	0.87 22	3.15 80	0.79 20	F16	0.63 16	
	900	2.95 75	0.79 20	0.47 12	0.71 18	3.94 100	0.91 23	F25	0.63 16	
	1500	3.15 80	0.87 22	0.55 14	0.71 18	4.33 110	0.91 23	F25	0.63 16	
	2500	—	—	—	—	—	—	—	—	

NOTES:

1. Dimensions are based upon nominal bore of ball and apply to FULL PORT sizes from 6.0 NPS (DN150) to 10.0 NPS (DN250).
2. All topworks mounting flanges comply with ISO 5211 as it relates to dimensional standards.
3. Custom mounting topworks are available. Contact Val-Matic for additional information.
4. Additional materials and design configurations are available. Please contact Val-Matic for additional assistance and/or information.

REV 8-31-18

QUADROSPHERE ADAPTOR FLANGE ISO5211

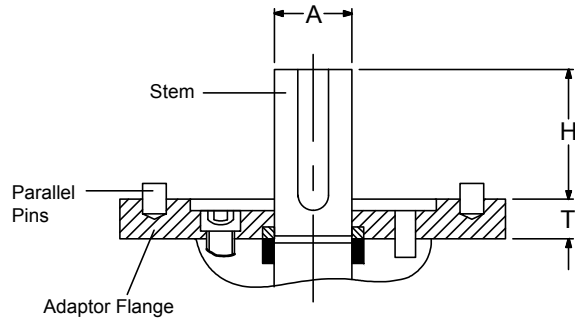
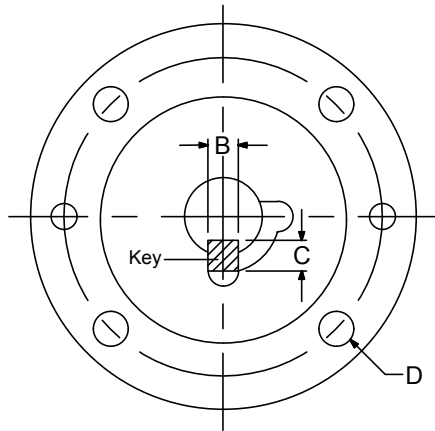
DATE 11-30-15



VALVE AND MANUFACTURING CORP.

DRWG. NO.

SS-3301  
Sheet 2 of 4



QUADROSPHERE TOPWORKS DIMENSIONS, INCHES & MILLIMETERS - TABLE 3

SIZE (NPS)	PRESS. CLASS ASME	A STEM DIA.	B KEY WIDTH	C KEY HEIGHT	D FLANGE HOLE DIA.	H STEM HEIGHT	T FLANGE THICKNESS	ISO 5211 BOLT CIRCLE	PARALLEL PIN Ø (TYP 2)	SIZE (DN)
12	150	2.36 60	0.71 18	0.43 11	0.87 22	3.15 80	0.79 20	F16	0.63 16	300
	300	2.36 60	0.71 18	0.43 11	0.87 22	3.15 80	0.79 20	F16	0.63 16	
	600	2.95 75	0.79 20	0.67 17	0.71 18	3.94 100	0.91 23	F25	0.63 16	
	900	3.15 80	0.87 22	0.55 14	0.71 18	4.33 110	0.91 23	F25	0.63 16	
	1500	4.13 105	1.10 28	0.63 16	0.87 22	5.12 130	1.18 30	F30	0.79 20	
	2500	—	—	—	—	—	—	—	—	
14	150	2.36 60	0.71 18	0.43 11	0.87 22	3.15 80	0.79 20	F16	0.63 16	350
	300	2.95 75	0.79 20	0.47 12	0.71 18	3.94 100	0.91 23	F25	0.63 16	
	600	2.95 75	0.79 20	0.67 17	0.71 18	3.94 100	0.91 23	F25	0.63 16	
	900	3.54 90	0.98 25	0.55 14	0.71 18	4.53 115	1.10 28	F25	0.63 16	
	1500	4.13 105	1.10 28	0.63 16	0.87 22	5.12 130	1.18 30	F30	0.79 20	
	2500	—	—	—	—	—	—	—	—	
16	150	2.95 75	0.79 20	0.47 12	0.71 18	3.94 100	0.91 23	F25	0.63 16	400
	300	2.95 75	0.79 20	0.47 12	0.71 18	3.94 100	0.91 23	F25	0.63 16	
	600	3.54 90	0.98 25	0.55 14	0.71 18	4.53 115	1.10 28	F25	0.63 16	
	900	4.13 105	1.10 28	0.63 16	0.87 22	5.12 130	1.18 30	F30	0.79 20	
	1500	4.53 115	1.26 32	0.71 18	1.26 32	5.59 142	1.38 35	F35	0.79 20	
	2500	—	—	—	—	—	—	—	—	

NOTES:

1. Dimensions are based upon nominal bore of ball and apply to FULL PORT sizes from 12.0 NPS (DN300) to 16.0 NPS (DN1400).
2. All topworks mounting flanges comply with ISO 5211 as it relates to dimensional standards.
3. Custom mounting topworks are available. Contact Val-Matic for additional information.
4. Additional materials and design configurations are available. Please contact Val-Matic for additional assistance and/or information.

REV 8-31-18

QUADROSPHERE ADAPTOR FLANGE ISO5211

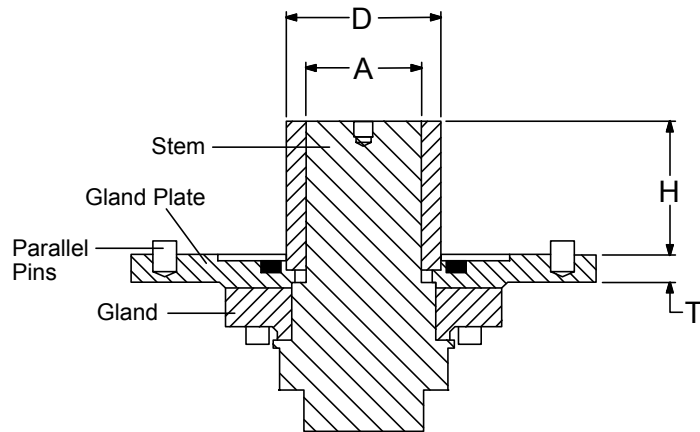
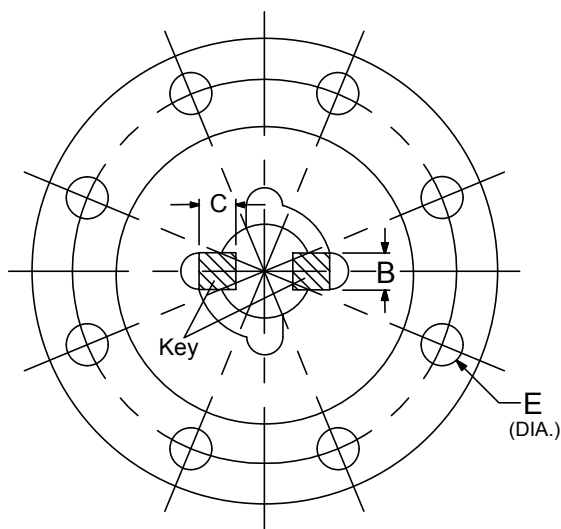
DATE 11-30-15



VALVE AND MANUFACTURING CORP.

DRWG. NO.

SS-3301  
Sheet 3 of 4



QUADROSPHERE TOPWORKS DIMENSIONS, INCHES & MILLIMETERS - TABLE 4

SIZE (NPS)	PRESS. CLASS ASME	A STEM DIA.	B KEY WIDTH	C KEY HEIGHT	D DOUBLE KEY	E FLANGE HOLE DIA.	H STEM HEIGHT	T FLANGE THICKNESS	ISO 5211 BOLT CIRCLE	PARALLEL PIN Ø (TYP 2)	SIZE (DN)
18	150	3.54 90	0.98 25	0.55 14	3.94 100	0.71 18	4.53 115	1.10 28	F25	0.63 16	450
	300	3.54 90	0.98 25	0.55 14	3.94 100	0.71 18	4.53 115	1.10 28	F25	0.63 16	
	600	3.54 90	0.98 25	0.55 14	3.94 100	0.71 18	4.53 115	1.10 28	F25	0.63 16	
	900	4.13 105	1.10 28	0.63 16	4.61 117	0.87 22	5.12 130	1.18 30	F30	0.79 20	
20	150	3.54 90	0.98 25	0.55 14	3.94 100	0.71 18	4.53 115	1.10 28	F25	0.63 16	500
	300	3.54 90	0.98 25	0.55 14	3.94 100	0.71 18	4.53 115	1.10 28	F25	0.63 16	
	600	4.13 105	1.10 28	0.63 16	4.61 117	0.87 22	5.12 130	1.18 30	F30	0.79 20	
	900	4.53 115	1.26 32	0.71 18	5.08 129	1.26 32	5.59 142	1.38 35	F35	0.79 20	
24	150	3.54 90	0.98 25	0.55 14	3.94 100	0.71 18	4.53 115	1.10 28	F25	0.63 16	600
	300	4.13 105	1.10 28	0.63 16	4.61 117	0.87 22	5.12 130	1.18 30	F30	0.79 20	
	600	4.92 125	1.26 32	0.71 18	5.47 139	1.26 32	7.09 180	1.38 35	F35	0.79 20	
	900	5.51 140	1.42 36	0.79 20	6.14 156	1.50 38	8.07 205	1.77 45	F40	0.79 20	

**NOTES:**

1. Dimensions are based upon nominal bore of ball and apply to FULL PORT sizes from 18.0 NPS (DN450) to 24.0 NPS (DN600).
2. All topworks mounting flanges comply with ISO 5211 as it relates to dimensional standards.
3. Custom mounting topworks are available. Contact Val-Matic for additional information.
4. Additional materials and design configurations are available. Please contact Val-Matic for additional assistance and/or information.

REV 8-31-18

QUADROSPHERE ADAPTOR FLANGE (DOUBLE KEY CONSTRUCTION) ISO5211

DATE 11-30-15



VALVE AND MANUFACTURING CORP.

DRWG. NO.

SS-3301

Sheet 4 of 4