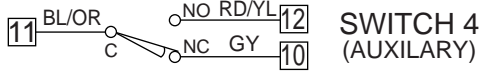
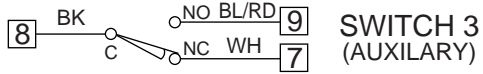
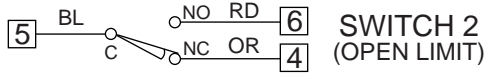
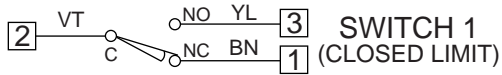
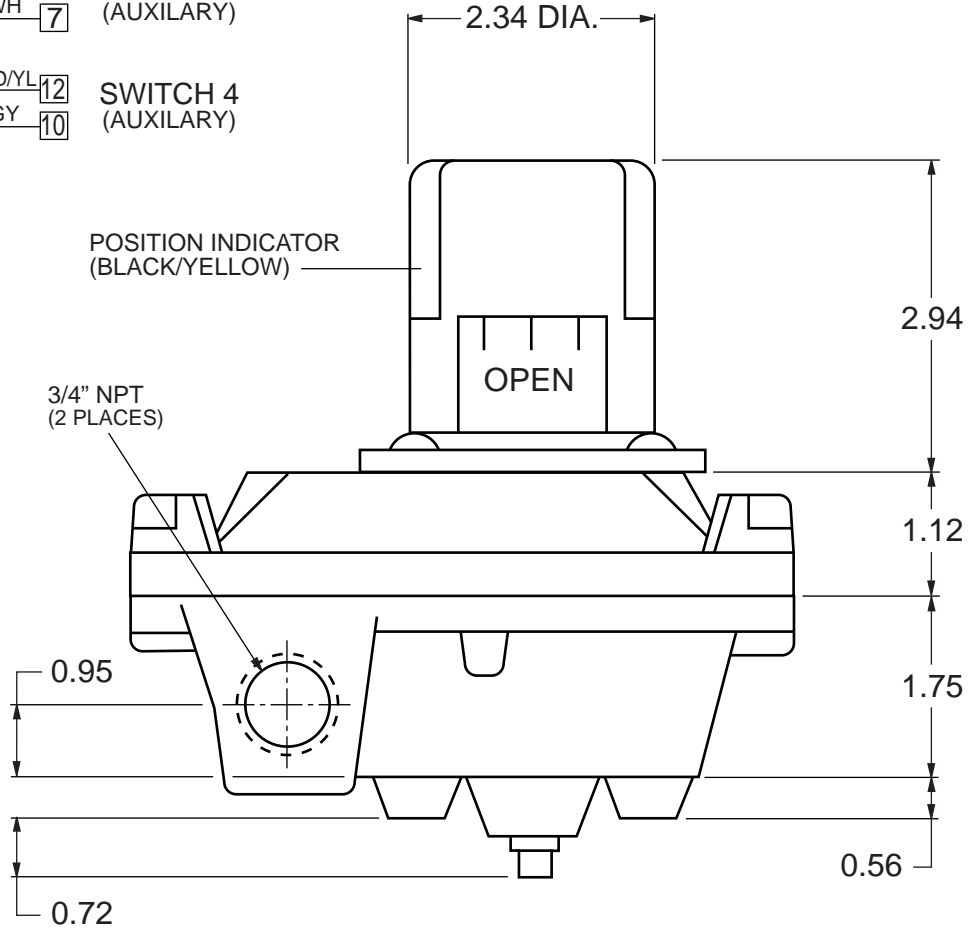


WIRING SCHEMATIC

(ALL SWITCHES SHOWN IN MID-TRAVEL VALVE POSITION)



TERMINALS
UNSEALS
13 }
14 }
15 }
16 }



WESTLOCK MODEL 2007-S-BY-2B-4M02-00 LIMIT SWITCH

MATERIAL: ALUMINUM ENCLOSURE
 TYPE: FOUR SPDT MECHANICAL SWITCHES
 WIRED TO 16 PT. TERMINAL STRIP
 RATING: 10A AT 125VAC, NEMA 4X,7,9
 CERT: UL/CSA

Revised 2-3-09

LIMIT SWITCH

DATE 8-19-08

VAL-MATIC® VALVE AND MANUFACTURING CORP.

DRWG. NO.
SS-2332