



Sure Seal Foot Valves

For Positive Prime with Silent Operation



Features and Benefits

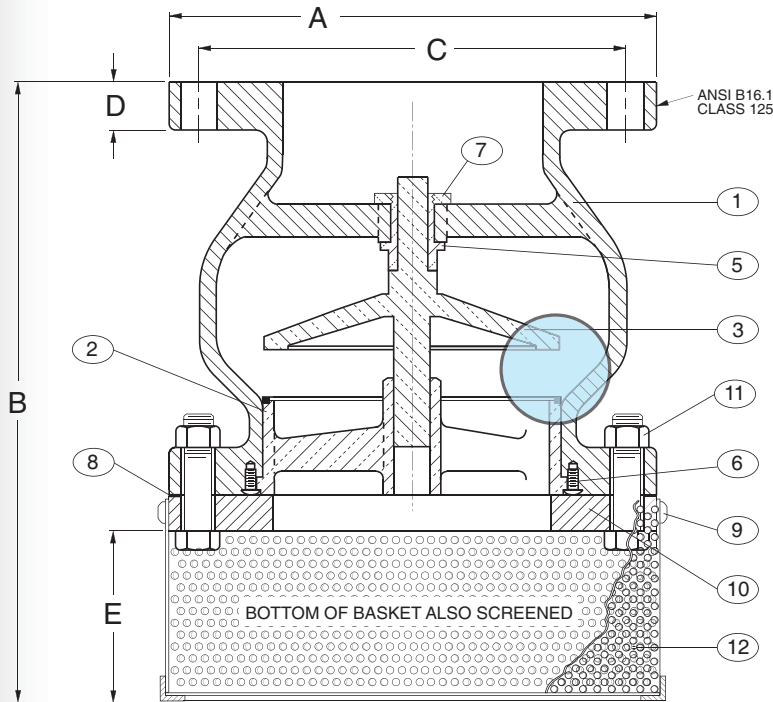
- Size Range: 2" - 16"
- Pressure Range: Up to 150 PSI
- Full flow area, equal to pipe size at all points through valve
- Silent operation, by design of disc, stroke and linear closing characteristics
- Unique seating design, provides positive shut-off at all pressure ranges without additional loading on the seal
- Heavy duty stainless steel screening, with flow area 3 to 4 times that of pipe area

Why to use a Val-Matic Foot Valve

Design of the Sure Seal Foot Valve evolved through a need for a valve that could provide positive sealing action at various pressure ranges without seal damage along with silent operation.

The Val-Matic Sure Seal Foot Valve satisfies these requirements plus low head loss thru its full ported area and heavy duty stainless steel basket screening.

The unique seating design provides initial contact with the valve disc and the Buna-N ring, providing a drop-tight seal. As the pressure increases, the Buna-N ring is compressed slightly and the disc makes contact with the metal portion of the valve seat, preventing any further compression of the Buna-N ring. The Buna-N ring will continue to provide the "drop-tight seating" during the higher pressure ranges without damage from the increased pressure loading.



Part No.	Name	Material
1	Body	Cast Iron
2	Seat	Bronze/Buna-N
3	Disc	Bronze
5	Bushing	Bronze
6	Seat Retainer (Not available on 2" and 2-1/2")	Stainless Steel
7	Bushing Retainer	Brass
8	Gasket	Non-Asbestos
9	Screen Retainer	Stainless Steel
10	Ring Plate	Carbon Steel
11	Bolts	Steel
12	Screen	Stainless Steel

Dimensions				
Size	Model	A	B	C
2	1902	6	9-1/4	4-3/4
2-1/2	1925	7	9-1/4	5-1/2
3	1903	7-1/2	9-1/2	6
4	1904	9	11	7-1/2
5	1905	10	13-1/4	8-1/2
6	1906	11	15-3/4	9-1/2
8	1908	13	19-1/2	11-3/4
10	1910	16	23-1/2	14-1/4
12	1912	19	23-1/4	17
14	1914	21	25-3/4	18-3/4
16	1916	23-1/2	28-7/8	21-1/4

