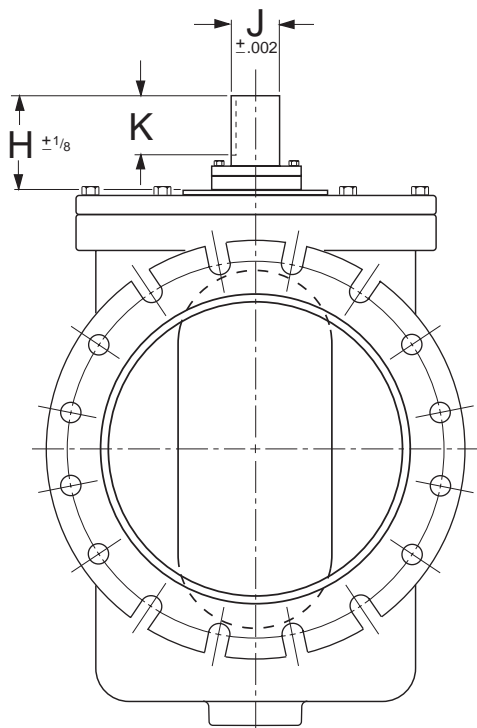
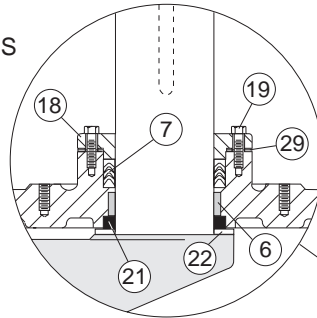
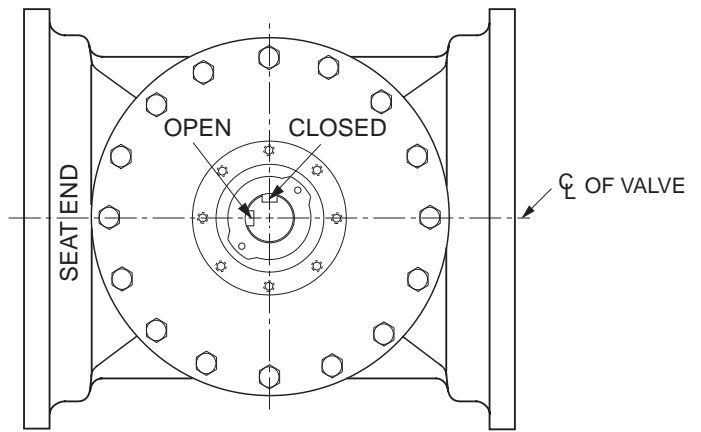
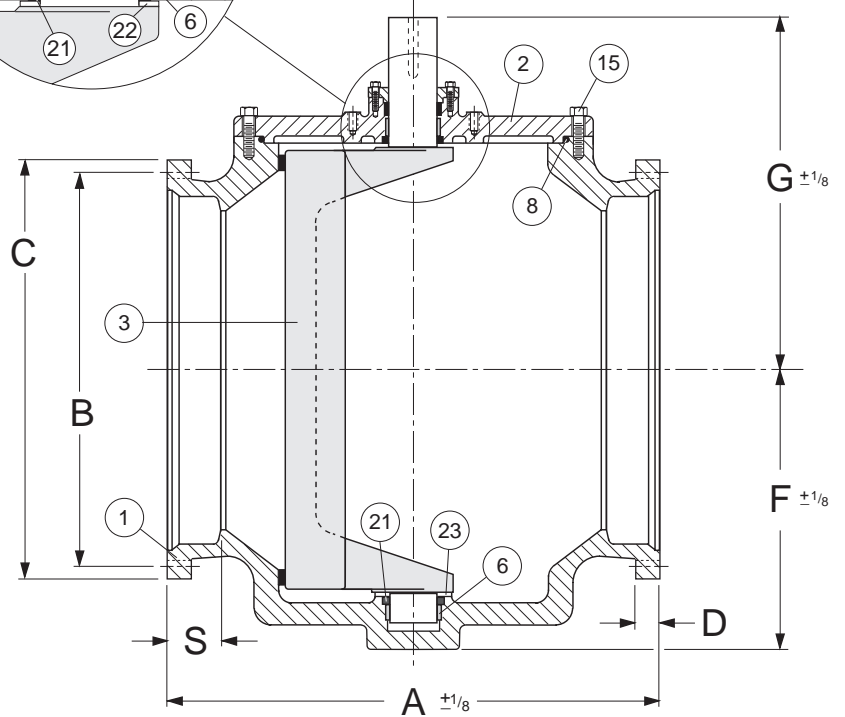


ACTUATOR MOUNTING DIMENSIONS



COLD WORKING PRESSURE
150 P.S.I.
HYDRO TEST PRESSURE
225 P.S.I.



SEE DRAWING NO. VM-5804RN-M FOR STANDARD MATERIALS OF CONSTRUCTION.

MECHANICAL JOINT ANSI/AWWA C111/A21.11

VALVE SIZE	A	B	C	D	F	G	H	J	K	L	M	N	O	P	Q	R	S	BOLT SIZE	NO. OF BOLTS
14	24 1/2	18 3/4	20 5/16	1 5/16	13	21 1/4	9 1/8	3.120	4 1/8	3/4 SQ.	2.704	11 7/8	10	6 3/4	5/8-11	7/8	3 1/2	3/4	10
16	24 3/4	21	22 9/16	1 3/8	14 1/2	22 9/16	9 1/8	3.120	4 1/8	3/4 SQ.	2.704	11 7/8	10	6 3/4	5/8-11	7/8	3 1/2	3/4	12

Revised 5-1-98

MECHANICAL JOINT CAM-CENTRIC[®] RECTANGULAR PLUG VALVE WITH BARE STEM

DATE 4-22-93



VALVE AND MANUFACTURING CORP.

DRWG. NO.

VM-5914R