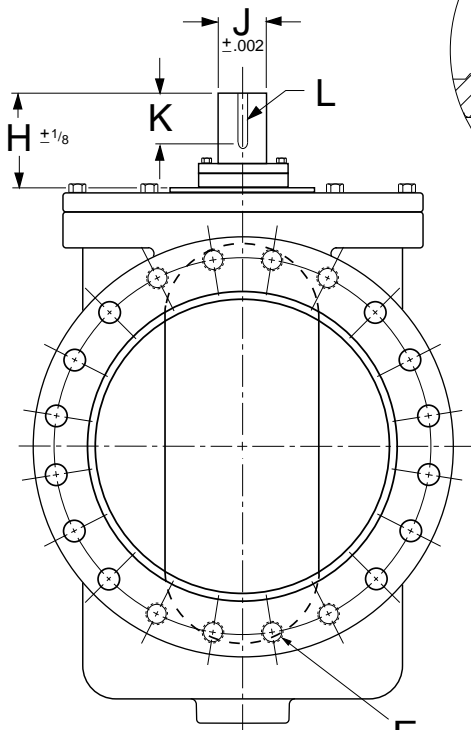
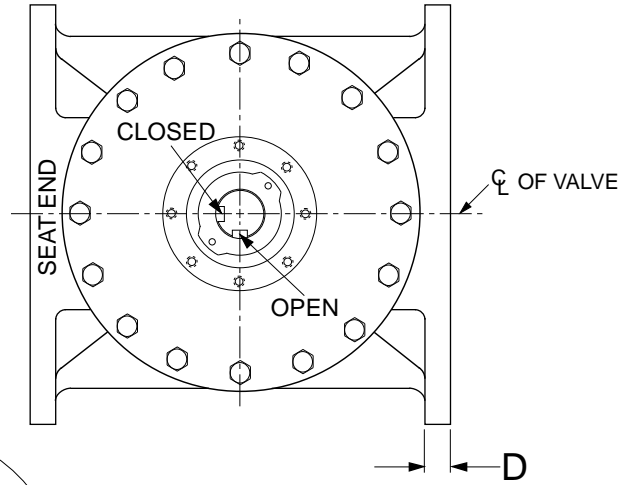
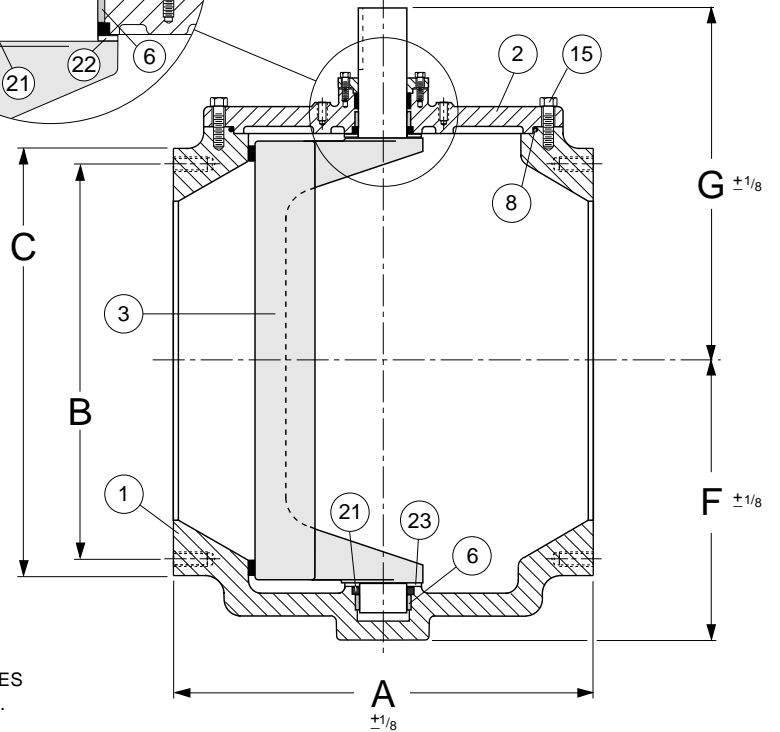
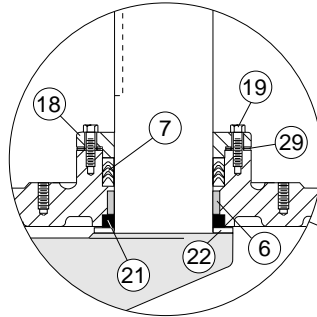


ACTUATOR MOUNTING DIMENSIONS



COLD WORKING PRESSURE
150 P.S.I.
HYDRO TEST PRESSURE
225 P.S.I.

NUMBER OF
TAPPED HOLES
PER FLANGE.



SEE DRAWING NO. VM-5804RN-M FOR STANDARD MATERIALS OF CONSTRUCTION. END FLANGE DRILLING CONFORMS TO ANSI B16.1

VALVE SIZE	A	B	C	D	E	F	G	H	J	K	L	M	N	O	P	Q	R	BOLT SIZE	NO. OF BOLTS
18	21 1/2	22 3/4	25	1 9/16	8	16 1/4	24 3/16	9 1/8	3.745	4 1/8	7/8 SQ.	3.261	12	10	7 3/8	5/8-11	1 1/8	1 1/8	16
20	23 1/2	25	27 1/2	1 11/16	8	17 1/2	25 1/2	9 1/8	3.745	4 1/8	7/8 SQ.	3.261	12	10	7 3/8	5/8-11	1 1/8	1 1/8	20
24	30	29 1/2	32	1 7/8	8	20 1/4	28 3/16	9 1/8	3.745	4 1/8	7/8 SQ.	3.261	12	10	7 3/8	5/8-11	1 1/8	1 1/4	20
30	37 1/2	36	38 3/4	2 1/8	8	24	33 3/4	10 3/4	4.995	6	1 1/4 SQ.	4.296	14 3/4	12 3/4	9 1/4	3/4-10	1 1/4	1 1/4	28
36	52	42 3/4	46	2 3/8	12	29	35 3/4	10 3/4	4.995	6	1 1/4 SQ.	4.296	14 3/4	12 3/4	9 1/4	3/4-10	1 1/4	1 1/2	32

Revised 8-8-02

ANSI CLASS 125 FLANGED CAM-CENTRIC® RECTANGULAR PLUG VALVE WITH BARE STEM

DATE 5-1-98



VALVE AND MANUFACTURING CORP.

DRWG. NO.

VM-5818R