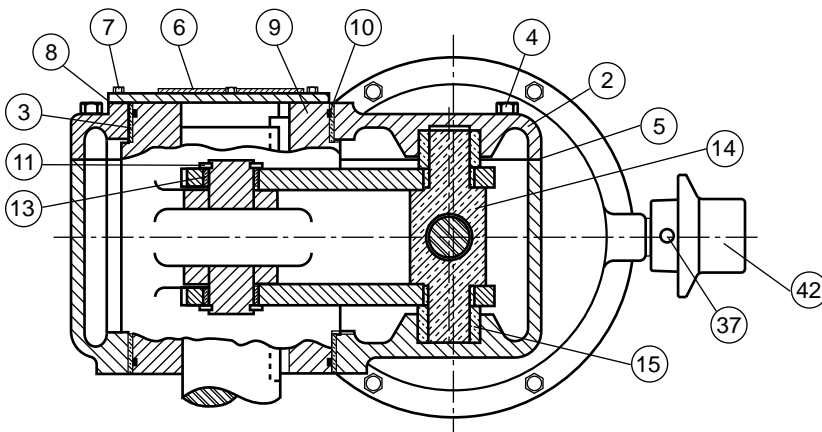


SEE DRWG. NO. VM-2H02-M FOR STANDARD MATERIALS OF CONSTRUCTION.

VALVE SIZE	150B MODEL NO.	250B MODEL NO.
	NUT	NUT
42	2H02	2H02
48	2J02	2J02
54	2K02	—
60	2K02	—
66	2K02	—
72	2L02	—

NOTES

1. OPERATOR HOUSING AND BEVEL GEAR HOUSING CONNECTION SEALED WITH LIQUID GASKET.
2. THE DIRECTION OF OPENING MAY BE REVERSED BY SIMPLY CHANGING POSITION OF BEVEL GEAR AS SHOWN BY DOTTED LINES. SOLID LINES - OPEN LEFT. DOTTED LINES - OPEN RIGHT.
3. ACTUATOR MEETS AWWA SPECIFICATIONS C-504, LATEST REVISION.



Revised 11-20-01

BURIED SERVICE TRAVELING NUT ACTUATOR FOR BUTTERFLY VALVE

DATE 3-21-00



VALVE AND MANUFACTURING CORP.

DRWG. NO.

VM-2H02