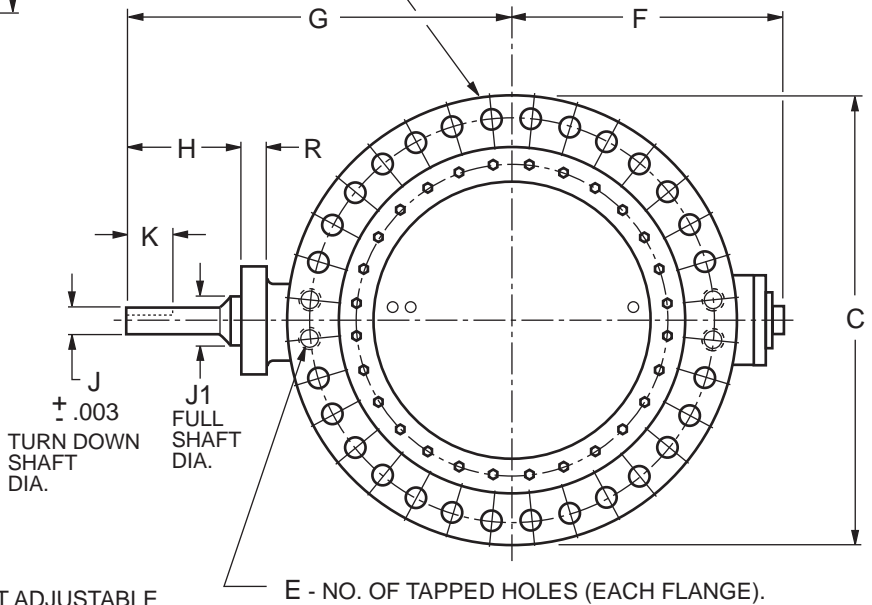
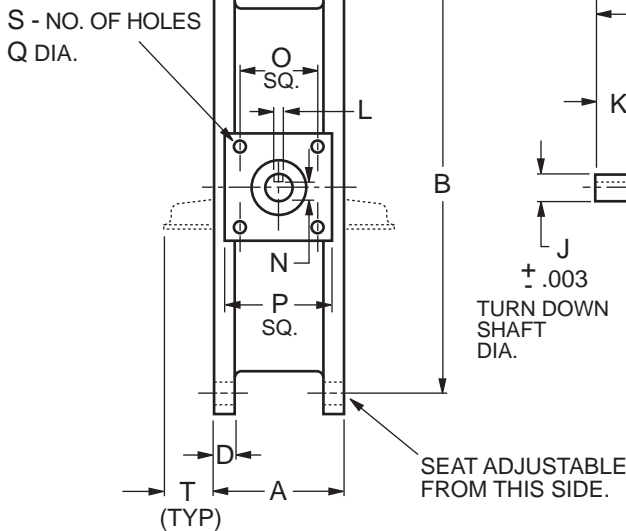


FLANGES CONFORM TO
ANSI B16.1 CLASS 125 & 250



COLD WORKING PRESSURE 150 PSI (150B) 250 PSI (250B)

FLANGE DIMENSIONS, INCHES

VALVE SIZE	AWWA C504 CLASS	A	B	C	D	NO. OF BOLTS	E Qty.	E Tap	E Deep	F	G	H	J	J1	K	L	N	O	P	Q	R	S	T	SHPG WT. lb.
30	150B	12.00	36.00	38.75	2.12	28	4	1 1/4-7	2.00	27.38	29.50	5.50	3.750 ±.003	3.75	4.44	.875	3.261	8.485	10.50	1.25 1 1/8 TAP X 2.25 dp.	2.25	4	8.88	1710
	250B	13.75	39.25	43.00	3.00	28	4	1 3/4-5	3.00	30.38	30.38	6.38	3.750 ±.003	4.50	4.44	.875	3.261	8.485	10.50	1.25 1 1/8 TAP X 1.88 dp.	2.25	4	8.00	2100
36	150B	12.00	42.75	46.00	2.38	32	4	1 1/2-6	2.38	29.50	32.12	5.38	3.750 ±.003	4.50	4.44	.875	3.261	8.485	10.50	1.25 1 1/8 TAP X 1.88 dp.	2.25	4	11.88	2470
	250B	14.00	46.00	50.00	3.38	32	4	2-4 1/2	3.38	33.69	33.69	6.94	3.750 ±.003	4.50	4.44	.875	3.261	8.485	10.50	1.25 1 1/8 TAP X 1.88 dp.	2.25	4	10.88	3050
42	150B	12.00	49.50	53.00	2.62	36	4	1 1/2-6	2.50	35.25	36.88	6.12	5.000 ±.005	5.00	4.75	1.25	4.296	8.485	10.50	1.25 1 1/8 TAP X 1.88 dp.	2.25	4	14.75	4020
	250B	14.13	52.75	57.00	3.69	36	4	2-4 1/2	3.12	39.31	39.31	9.12	5.000 ±.005	5.00	4.75	1.25	4.296	8.485	10.50	1.25 1 1/8 TAP X 1.88 dp.	2.25	4	13.69	4750
48	150B	15.00	56.00	59.50	2.75	44	4	1 1/2-6	2.50	39.31	44.12	9.12	5.750 ±.008	5.75	6.75	1.50	4.900	11.844	15.00	1.63 1 1/2 TAP X 2.50 dp.	2.50	4	16.25	6420
	250B	17.50	60.75	65.00	4.00	40	4	2-4 1/2	4.00	44.12	44.12	9.12	5.750 ±.008	5.75	6.75	1.50	4.900	11.844	15.00	1.63 1 1/2 TAP X 2.50 dp.	2.50	4	15.00	7600
54	150B 250B	15.00	62.75	66.25	3.00	44	8	1 3/4-5	2.63	44.25	48.06	9.12	6.750 ±.008	6.75	6.75	1.75	5.760	11.844	15.00	1.63	2.50	4	19.25	8500
60	150B 250B	15.00	69.25	73.00	3.12	52	8	1 3/4-5	2.63	48.25	51.94	9.12	6.750 ±.003	7.25	6.75	1.75	5.760	11.844	15.00	1.63	2.50	4	22.25	12100
66	150B 250B	18.00	76.00	80.00	3.38	52	8	1 3/4-5	2.63	53.31	58.25	9.12	6.750 ±.003	7.75	6.75	1.75	5.760	11.844	15.00	1.63	2.50	4	23.69	14050
72	150B 250B	18.00	82.50	86.50	3.50	60	8	1 3/4-5	2.38	59.00	62.75	10.75	8.000 ±.005	8.50	8.75	2.00	6.873	23.00	26.25	1.38	2.50	8	26.69	15200
84	150B 250B	24.00	95.50	99.75	3.88	64	8	2-4 1/2	3.88	71.25	72.62	10.75	8.000 ±.005	10.00	8.75	2.00	6.873	23.00	26.25	1.38	2.50	8	29.63	25000
90	150B 250B	26.00	102.00	106.50	4.00	68	8	2 1/4-4 1/2	4.00	73.50	77.50	12.75	10.000 ±.005	10.75	10.75	2.50	8.591	29.00	32.00	1.31	2.50	12	31.75	30000
96	150B 250B	26.00	108.50	113.25	4.25	68	8	2 1/4-4 1/2	4.50	76.00	80.00	12.75	10.000 ±.005	11.50	10.75	2.50	8.591	29.00	32.00	1.31	2.50	12	34.75	38000
108	150B 250B	28.00	120.75	126.75	4.50	72	8	2 1/2-4	4.50	84.00	90.12	14.75	10.000 ±.005	12.75	12.75	2.50	8.591	29.00	32.00	1.31	2.50	12	39.75	47000

SEE DRAWING SS-1993 AND SS-2039 FOR INSTALLATION AND TESTING.

Revised 2-12-07

150B & 250B FLANGED BUTTERFLY VALVE WITH BARE STEM

DATE 5-10-01

VAL-MATIC® VALVE AND MANUFACTURING CORP.

DRWG. NO.
VM-2030/BS