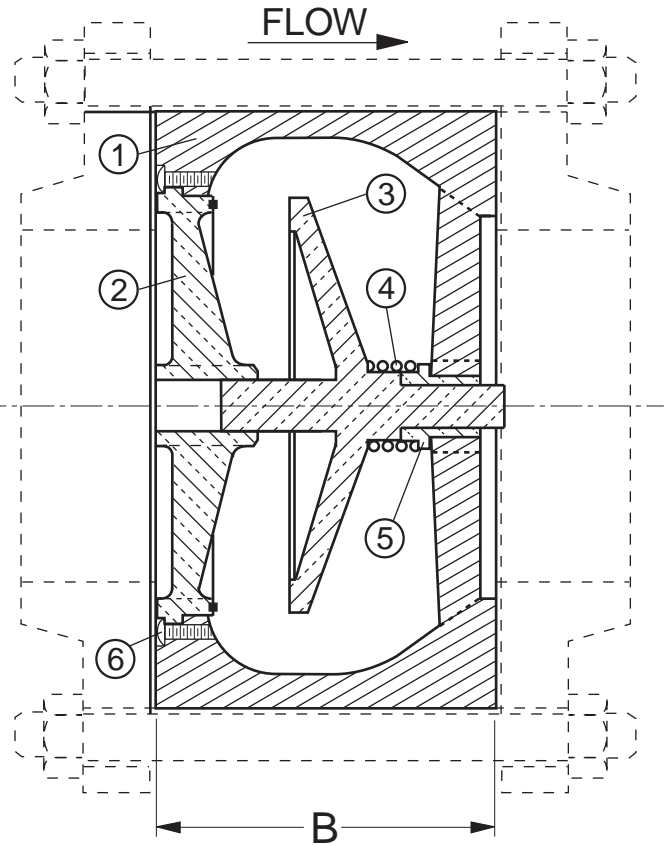
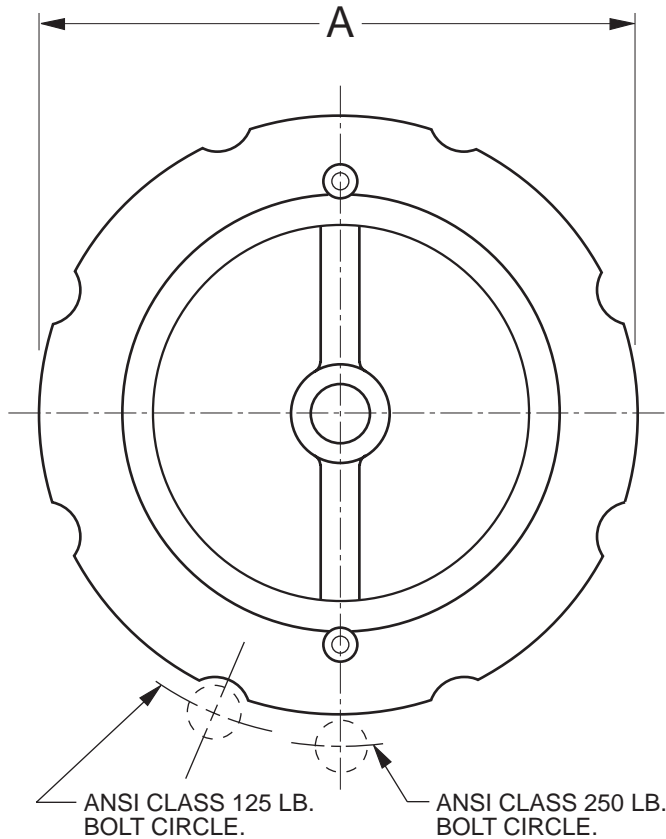


FLANGES, BOLTS, NUTS AND GASKETS ARE SUPPLIED BY OTHERS.



<u>PART NO.</u>	<u>NAME</u>	<u>PART NO.</u>	<u>NAME</u>
1	BODY	4	SPRING
2	SEAT W/ BUNA-N	5	BUSHING
3	DISC	6	RETAINING SCREWS

SEE DRAWING NO. VM-1403BN-M FOR STANDARD MATERIALS OF CONSTRUCTION.

ANSI 125 / 250 LB. CLASS				
VALVE SIZE	MODEL NO.*	CWP (P.S.I.)	A	B
3	1403BN	400	5 3/4	3 1/8
4	1404BN	400	7	4
5	1405BN	400	8 3/4	4 3/4
6	1406BN	400	9 3/4	5 1/2

* MODEL NUMBERS REFLECT BRONZE TRIM.

Installation Requirements

Refer to drawing SS-974 entitled Silent Check Valve Flange Installation Requirements for mating flanges.

Revised 4-22-98

WAFER STYLE SILENT CHECK VALVE (BUNA-N SEAT)

DATE 4-1-67

VAL-MATIC®

VALVE AND MANUFACTURING CORP.

DRWG. NO.

VM-1403BN