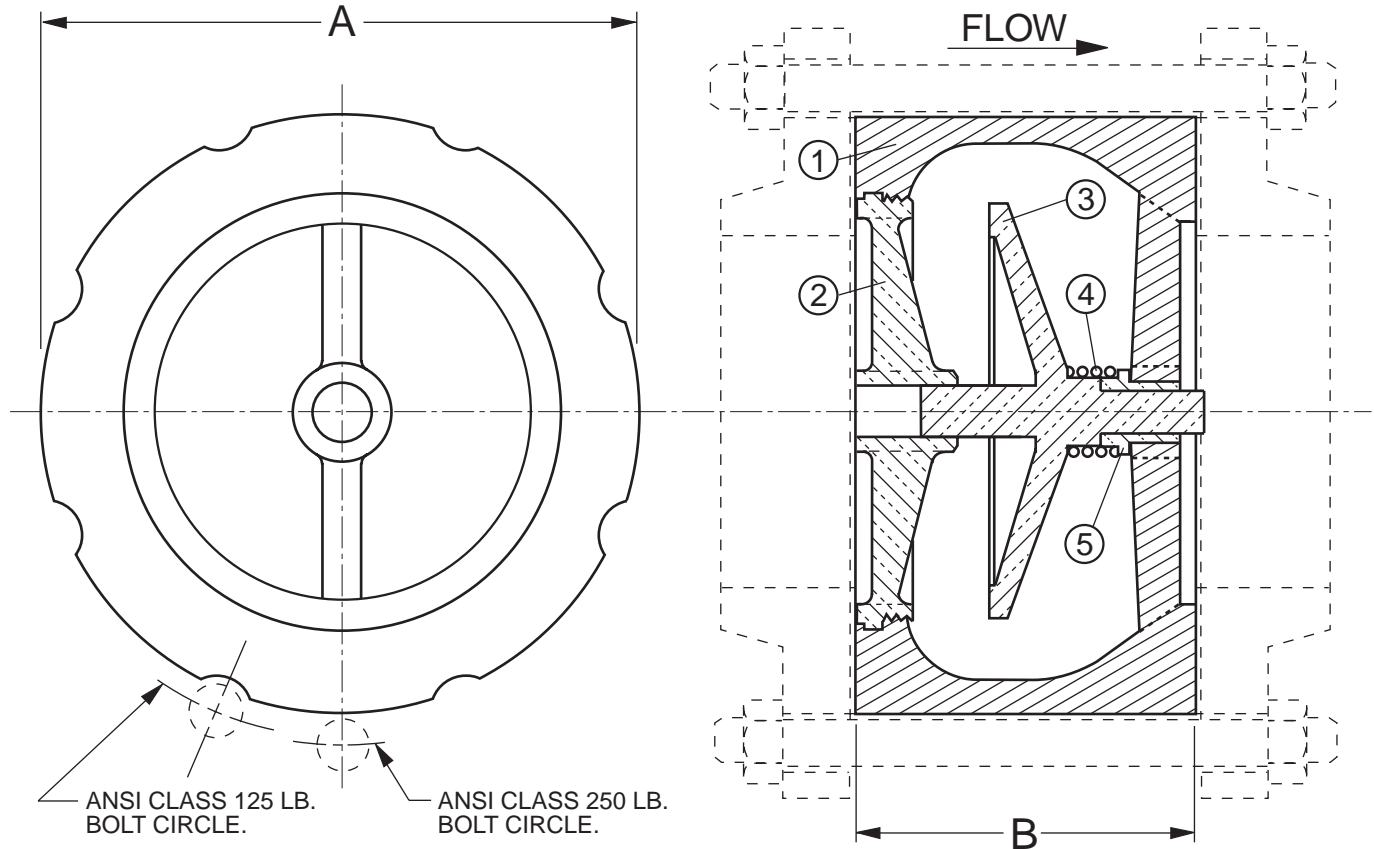


FLANGES, BOLTS, NUTS AND GASKETS ARE SUPPLIED BY OTHERS.



<u>PART NO.</u>	<u>NAME</u>	<u>PART NO.</u>	<u>NAME</u>
1	BODY	4	SPRING
2	SEAT	5	BUSHING
3	DISC		

SEE DRAWING NO. VM-1402-M FOR STANDARD MATERIALS OF CONSTRUCTION.

ANSI 125 / 250 LB. CLASS				
VALVE SIZE	MODEL* NO.	CWP (P.S.I.)	A	B
2	1402	400	4 1/4	2 5/8
2 1/2	1425	400	5	2 7/8

\* MODEL NUMBERS REFLECT BRONZE TRIM.

Installation Requirements

Refer to drawing SS-974 entitled Silent Check Valve Flange Installation Requirements for mating flanges.

Revised 2-4-99

WAFER STYLE SILENT CHECK VALVE

DATE 4-1-67

**VAL-MATIC®**

VALVE AND MANUFACTURING CORP.

DRWG. NO.

VM-1402