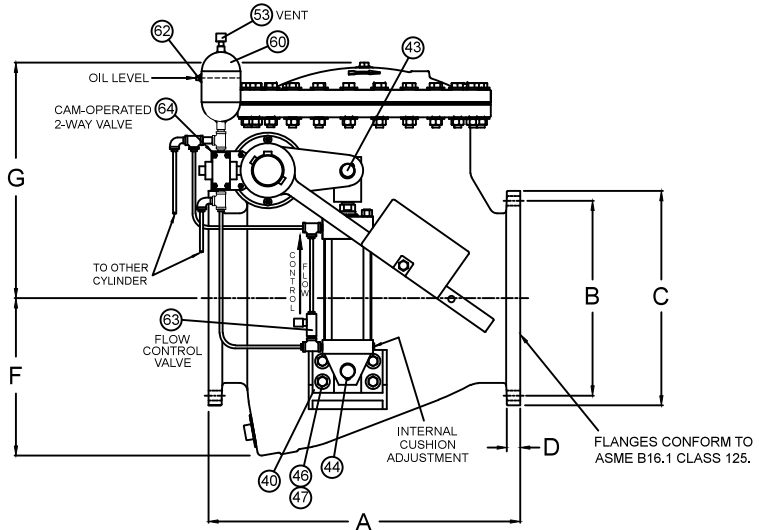
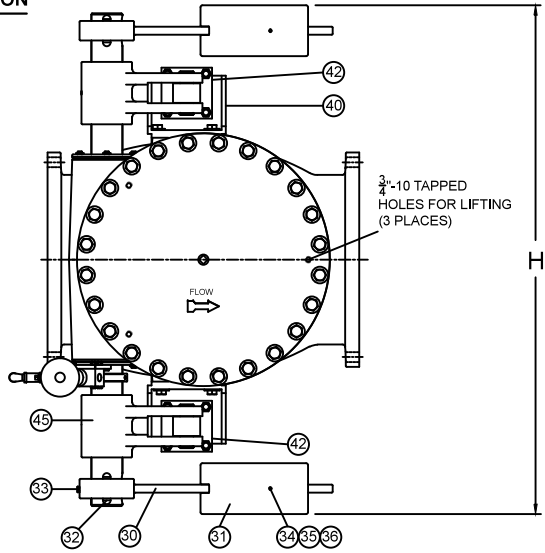


### 3-STAGE OIL CUSHION PRINCIPLE OF OPERATION

During closure, the oil cylinder controls the speed of closure in three stages:

1. As the check valve closes, oil from the bottom port of the cylinder flows freely through the 2-way valve (64) allowing the valve to close rapidly, typically 1 to 2 seconds.
2. When the valve travels to the 50% closed position (adjustable), the 2-way valve closes, and the oil flow is controlled by the Flow Control Valve (63), typically 2 to 5 seconds.
3. During the last 10% of travel, the closure is controlled using the internal cushion adjustment, typically 1 to 3 seconds.

COLD WORKING PRESSURE  
150 PSI  
HYDRO TEST PRESSURE  
300 PSI



SEE DRAWING VM-7920S3-M FOR STANDARD MATERIALS OF CONSTRUCTION

DIMENSIONS, INCHES							
VALVE SIZE	A	B	C	D	F	G	H
14	31.00	18.75	21.00	1.38	17.06	28.00	39.00
16	36.00	21.25	23.50	1.43	18.38	30.25	43.50
18	40.00	22.75	25.00	1.56	19.00	28.00	62.25
20	40.00	25.00	27.50	1.68	20.50	30.25	65.25

Revised 9-3-14 (Rev 2)

SWING CHECK VALVE WITH SIDE MOUNTED 3-STAGE OIL CUSHION

DATE 2-21-13

**VALMATIC**

VALVE AND MANUFACTURING CORP.

DRWG. NO.

VMC-7920S3