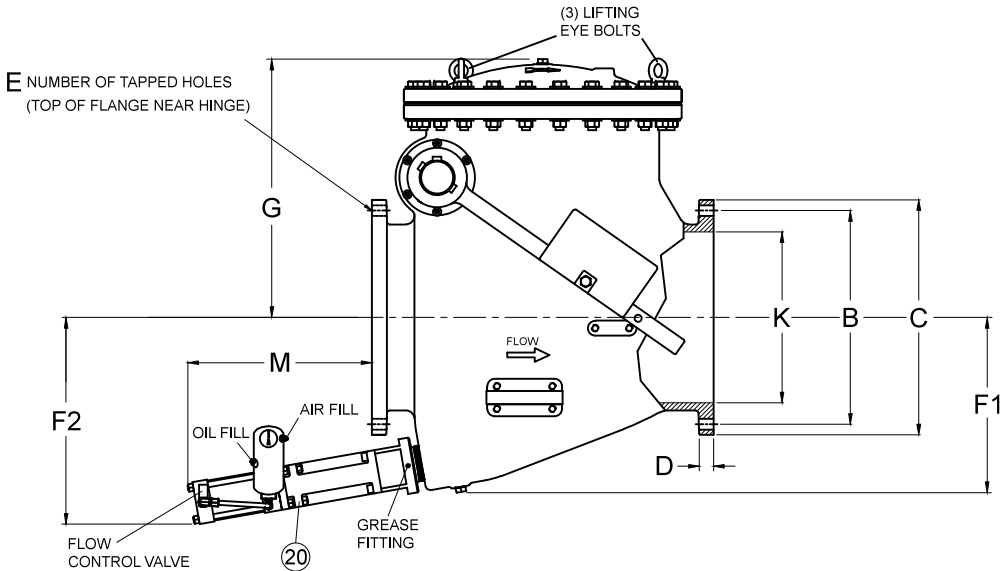
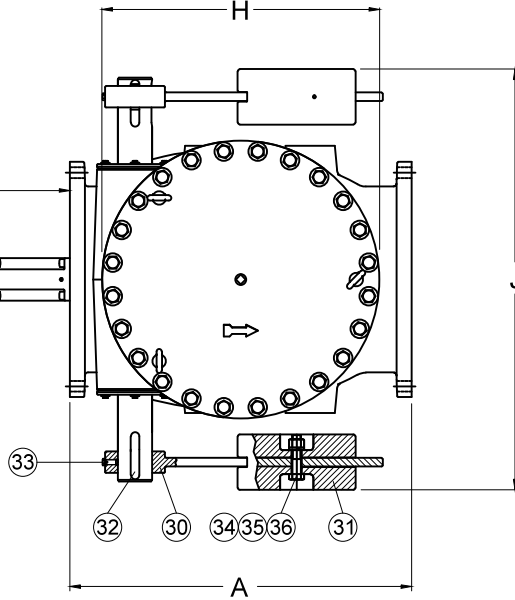


FLANGES CONFORM TO ASME B16.1 CLASS 125.



DRAWING DEPICTS 20" VALVE SIZE TO SCALE.
SEE DRAWING NO. VM-7908-M FOR STANDARD MATERIALS OF CONSTRUCTION.

Revised 2-13-14 (1)

14" - 48" SWING CHECK VALVE WITH BOTTOM OIL CUSHION

DATE 11-18-13

VALMATIC

VALVE AND MANUFACTURING CORP.

DRWG. NO.
VMC-7914B
SHEET 1 OF 2

TABLE OF DIMENSIONS

DIMENSIONS, INCHES

VALVE SIZE	MODEL NO.	CWP (PSI)	A	B	C	D	E	F1	F2	G	H	J	K	M	SHPG. WT.
14	7914B	150	31.00	18.75	21.00	1.38	0	17.06	20.00	22.25	25.38	39.00	14.00	18.50	1064
16	7916B	150	36.00	21.25	23.50	1.43	0	18.38	21.25	25.69	28.31	43.50	16.00	17.00	1253
18	7918B	150	40.00	22.75	25.00	1.56	0	19.25	23.06	28.00	30.88	46.25	18.00	20.63	1521
20	7920B	150	40.00	25.00	27.50	1.68	0	20.50	24.25	30.25	32.50	49.25	20.00	21.50	1890
24	7924B	150	48.00	29.50	32.00	1.88	0	24.88	28.50	36.25	38.75	59.00	24.00	24.38	3052
30	7930B	150	60.00	36.00	38.75	2.12	0	29.50	34.06	38.50	43.81	64.00	30.00	26.56	5514
36	7936B	150	63.00	42.75	46.00	2.38	0	32.25	38.00	43.25	51.40	73.00	36.00	35.00	8151
42	7942B	150	70.00	49.50	53.00	2.63	0	35.13	41.25	43.75	60.00	78.00	42.00	41.25	11380
48	7948B	150	76.00	56.00	59.50	2.75	8	39.00	45.81	56.38	68.38	88.00	48.00	47.50	16780

Revised 2-13-14 (1)

14" - 48" SWING CHECK VALVE WITH BOTTOM OIL CUSHION

DATE 11-18-13



VALVE AND MANUFACTURING CORP.

DRWG. NO.
VMC-7914B
SHEET 2 OF 2