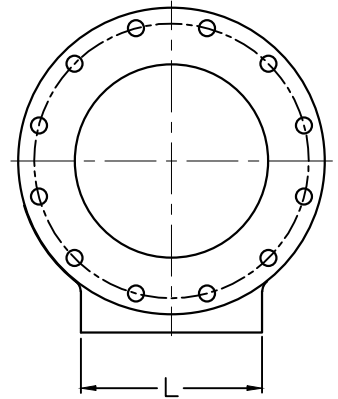
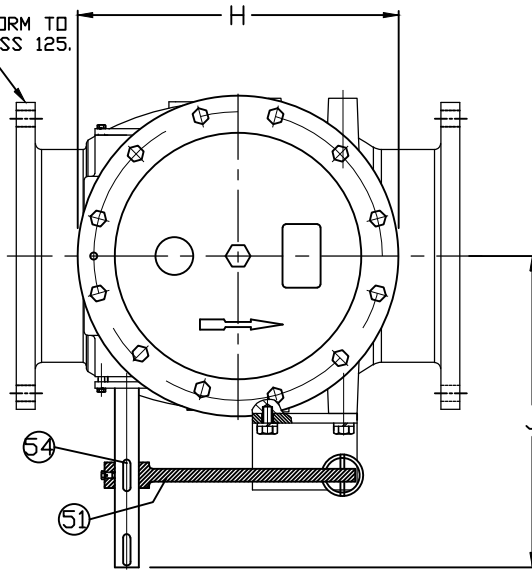
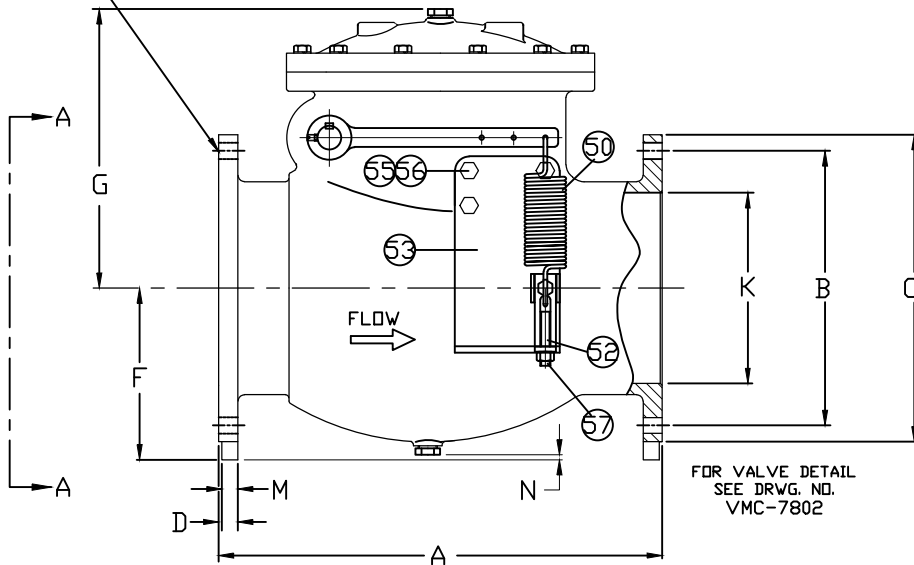


FLANGES CONFORM TO
ANSI B16.1 CLASS 125.



VIEW AA
(TYP. BOTH ENDS)

E NUMBER OF TAPPED HOLES
(TOP OF FLANGE NEAR HINGE)



FOR VALVE DETAIL
SEE DRWG. NO.
VMC-7802

DRAWING DEPICTS 12" VALVE SIZE TO SCALE.
SEE DRAWING NO. VM-7802LS-M FOR STANDARD MATERIALS OF CONSTRUCTION.

Revised 2-18-15 (Rev 7)

SWING CHECK VALVE WITH LEVER AND SPRING ASSEMBLY

DATE 10-13-11

VAL-MATIC

VALVE AND MANUFACTURING CORP.

DRWG. NO.

VMC-7802LS

SHEET 1 OF 2

TABLE OF DIMENSIONS

DIMENSIONS, INCHES

VALVE SIZE	MODEL NO.	CWP (PSI)	A	B	C	D	E	F	G	H	J	K	L	M	N*	SHPG. WT.
2	7802LS	250	8.00	4.75	6.00	0.63	0	—	4.34	5.39	4.21	2.00	3.15	0.50	0.27	26
2 1/2	7825LS	250	8.50	5.50	7.00	0.68	0	—	4.34	5.78	6.77	2.50	3.68	0.44	0.62	34
3	7803LS	250	9.50	6.00	7.50	0.75	0	4.17	6.69	7.01	6.97	3.00	3.55	0.50	0.46	51
4	7804LS	250	11.50	7.50	9.00	0.75	0	4.92	7.60	7.87	8.23	4.00	3.94	0.79	0.43	79
6	7806LS	250	14.00	9.50	11.00	0.75	0	6.69	10.53	12.60	12.22	6.00	6.29	0.59	0.59	169
8	7808LS	250	19.50	11.75	13.50	0.88	0	8.46	12.80	15.75	15.16	8.00	7.88	0.59	0.97	286
10	7810LS	250	24.50	14.25	16.00	1.18	0	8.66	14.33	17.52	16.61	10.00	7.88	0.59	-0.13	440
12	7812LS	250	27.50	17.00	19.00	1.25	0	10.63	17.32	19.88	17.32	12.00	11.23	0.98	0.30	669
14	7814LS	250	31.00	18.75	21.00	1.38	0	12.50	19.96	23.88	22.63	14.00	14.00	0.75	-0.04	958
16	7816LS	250	36.00	21.25	23.50	1.43	0	13.75	21.22	26.50	24.25	16.00	14.00	0.88	-1.29	1101
18	7818LS	250	40.00	22.75	25.00	1.56	0	15.00	23.22	27.88	25.63	18.00	14.38	1.00	-0.16	1431
20	7820LS	250	40.00	25.00	27.50	1.68	0	16.00	24.94	30.44	27.50	20.00	16.00	1.00	-0.66	1764
24	7824LS	250	48.00	29.50	32.00	1.88	0	18.50	30.34	36.63	32.13	24.00	14.00	1.00	0.90	2837
30	7730LS	150	60.00	36.00	38.75	2.12	0	22.00	38.47	43.81	39.81	30.00	18.00	1.06	-0.87	5708
30	7830LS	250	60.00	36.00	38.75	2.12	0	22.00	38.47	43.81	39.81	30.00	14.00	1.00	-0.87	5708
36	7736LS	150	63.00	42.75	46.00	2.38	0	25.50	43.22	51.41	43.81	36.00	20.00	1.13	-1.89	8037
36	7836LS	250	63.00	42.75	46.00	2.38	0	25.50	43.22	51.41	43.81	36.00	24.00	1.25	-1.89	8037
42	7742LS	150	70.00	49.50	53.00	2.63	0	29.25	49.80	59.88	48.50	42.00	30.00	1.44	-2.38	10680
42	7842LS	250	70.00	49.50	53.00	2.63	0	29.25	49.80	59.88	48.50	42.00	36.00	1.63	-2.38	10680
48	7748LS	150	76.00	56.00	59.50	2.75	8	32.75	56.38	68.38	53.00	48.00	42.00	1.81	-2.63	15940
48	7848LS	250	76.00	56.00	59.50	2.75	8	32.75	56.38	68.38	53.00	48.00	48.00	2.00	-2.63	15940

* DIMENSION "N" WITH NEGATIVE NUMBERS EXTEND PAST BOTTOM OF INTEGRAL MOUNTING PADS (FLANGE FEET).

Revised 2-18-15 (Rev 7)

SWING CHECK VALVE WITH LEVER AND SPRING ASSEMBLY

DATE 10-13-11

VAL-MATIC

VALVE AND MANUFACTURING CORP.

DRWG. NO.
VMC-7802LS
SHEET 2 OF 2