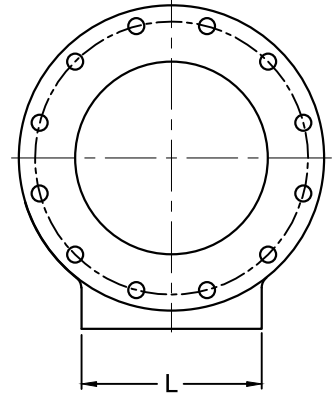
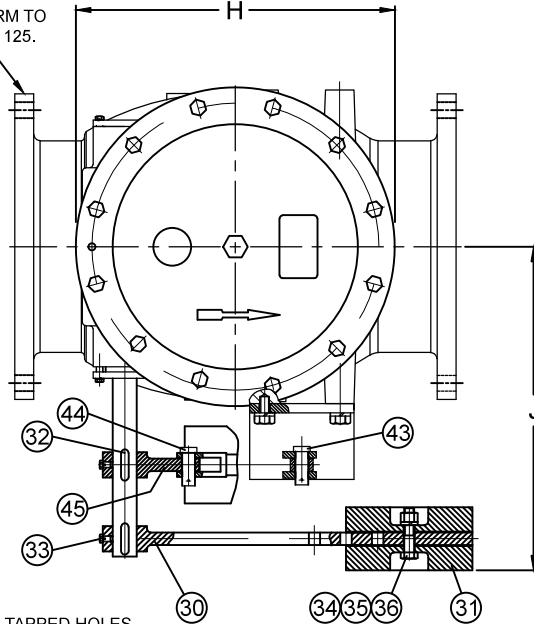
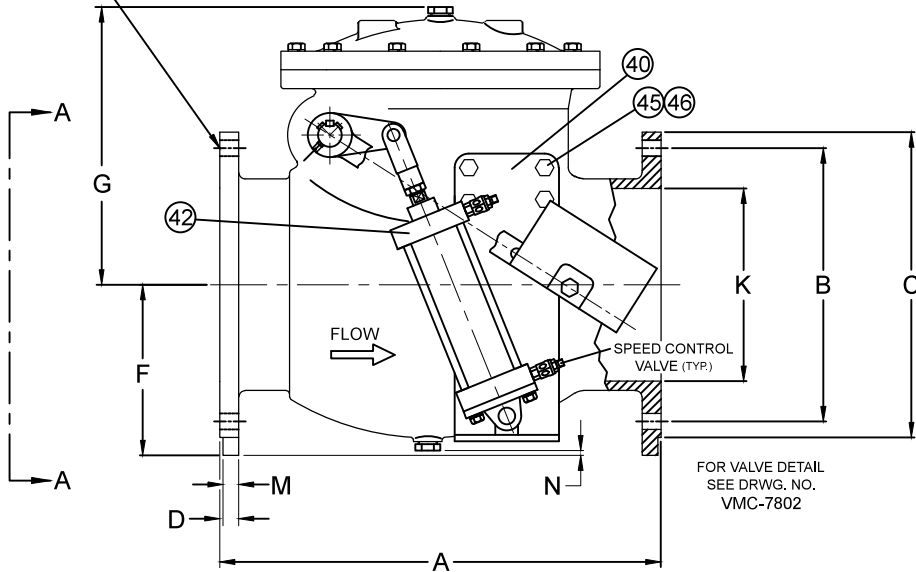


FLANGES CONFORM TO
ANSI B16.1 CLASS 125.



VIEW AA
(TYP. BOTH ENDS)

E NUMBER OF TAPPED HOLES
(TOP OF FLANGE NEAR HINGE)



DRAWING DEPICTS 12" VALVE SIZE TO SCALE.
SEE DRAWING NO. VM-7802AC-M FOR STANDARD MATERIALS OF CONSTRUCTION.

Revised 2-18-15 (Rev. 7)

SWING CHECK VALVE WITH AIR CUSHION AND WEIGHT

DATE 8-30-11



VALVE AND MANUFACTURING CORP.

DRWG. NO.

VMC-7802AC

SHEET 1 OF 2

TABLE OF DIMENSIONS

DIMENSIONS, INCHES

VALVE SIZE	MODEL NO.	CWP (PSI)	A	B	C	D	E	F	G	H	J	K	L	M	N *	SHPG. WT.
3	7803AC	250	9.50	6.00	7.50	0.75	0	4.17	6.69	7.01	7.38	3.00	3.55	0.27	0.46	65
4	7804AC	250	11.50	7.50	9.00	0.75	0	4.92	7.60	7.87	8.63	4.00	3.94	0.62	0.43	105
6	7806AC	250	14.00	9.50	11.00	0.75	0	6.69	10.53	12.60	12.50	6.00	6.29	0.46	0.59	205
8	7808AC	250	19.50	11.75	13.50	0.88	0	8.46	12.80	15.75	15.75	8.00	7.88	0.43	0.97	351
10	7810AC	250	24.50	14.25	16.00	1.18	0	8.66	14.33	17.52	17.38	10.00	7.88	0.59	-0.13	519
12	7812AC	250	27.50	17.00	19.00	1.25	0	10.63	17.32	19.88	17.88	12.00	11.23	0.98	0.30	763
14	7814AC	250	31.00	18.75	21.00	1.38	0	12.50	19.96	23.88	23.13	14.00	14.00	0.75	-0.04	1061
16	7816AC	250	36.00	21.25	23.50	1.43	0	13.75	21.22	26.50	25.00	16.00	14.00	0.88	-0.29	1227
18	7818AC	250	40.00	22.75	25.00	1.56	0	15.00	23.22	27.88	26.38	18.00	14.38	1.00	-0.16	1571
20	7820AC	250	40.00	25.00	27.50	1.68	0	16.00	24.94	30.44	28.25	20.00	16.00	1.00	-0.66	1940
24	7824AC	250	48.00	29.50	32.00	1.88	0	18.50	30.34	36.63	32.75	24.00	14.00	1.00	0.90	3112
30	7730AC	150	60.00	36.00	38.75	2.12	0	22.00	38.47	43.81	40.75	30.00	18.00	1.06	-0.87	6148
30	7830AC	250	60.00	36.00	38.75	2.12	0	22.00	38.47	43.81	40.75	30.00	14.00	1.00	-0.87	6148
36	7736AC	150	63.00	42.75	46.00	2.38	0	25.50	43.22	51.41	45.06	36.00	20.00	1.13	-1.89	8555
36	7836AC	250	63.00	42.75	46.00	2.38	0	25.50	43.22	51.41	45.06	36.00	24.00	1.25	-1.89	8555
42	7742AC	150	70.00	49.50	53.00	2.63	0	29.25	49.80	59.88	50.00	42.00	30.00	1.44	-2.38	11460
42	7842AC	250	70.00	49.50	53.00	2.63	0	29.25	49.80	59.88	50.00	42.00	36.00	1.63	-2.38	11460
48	7748AC	150	76.00	56.00	59.50	2.75	8	32.75	56.38	68.38	55.13	48.00	42.00	1.81	-2.63	16860
48	7848AC	250	76.00	56.00	59.50	2.75	8	32.75	56.38	68.38	55.13	48.00	48.00	2.00	-2.63	16860

* DIMENSION "N" WITH NEGATIVE NUMBERS EXTEND PAST BOTTOM OF INTEGRAL MOUNTING PADS (FLANGE FEET).

Revised 2-18-15 (Rev. 7)

SWING CHECK VALVE WITH AIR CUSHION AND WEIGHT

DATE 8-30-11



VALVE AND MANUFACTURING CORP.

DRWG. NO.
VMC-7802AC
SHEET 2 OF 2