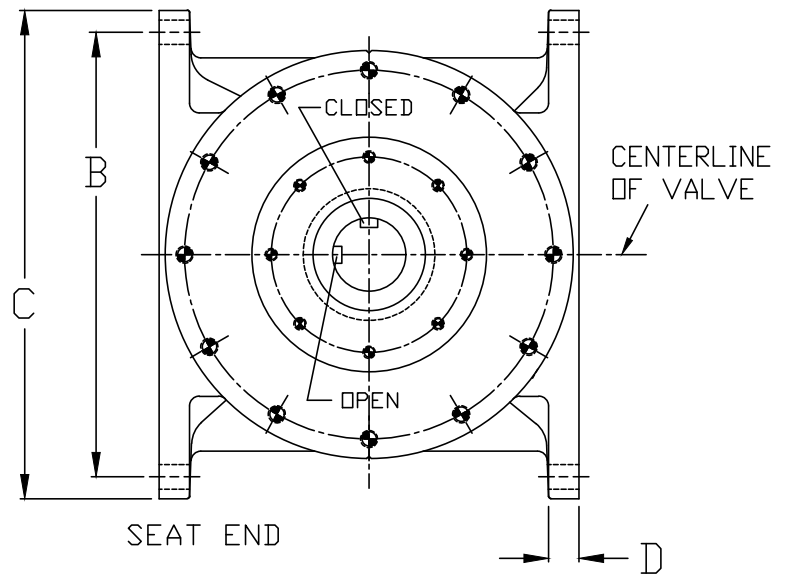
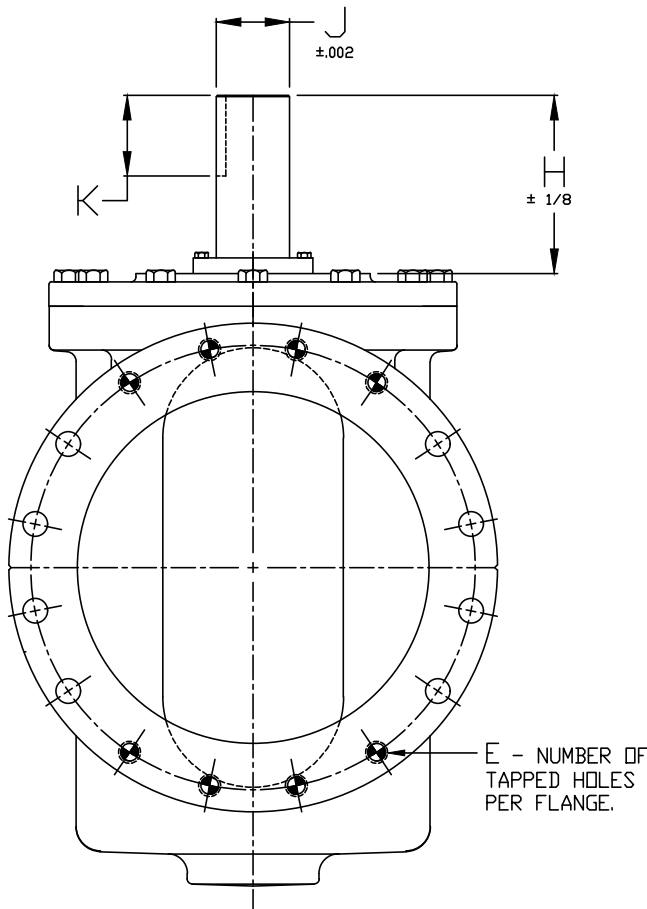


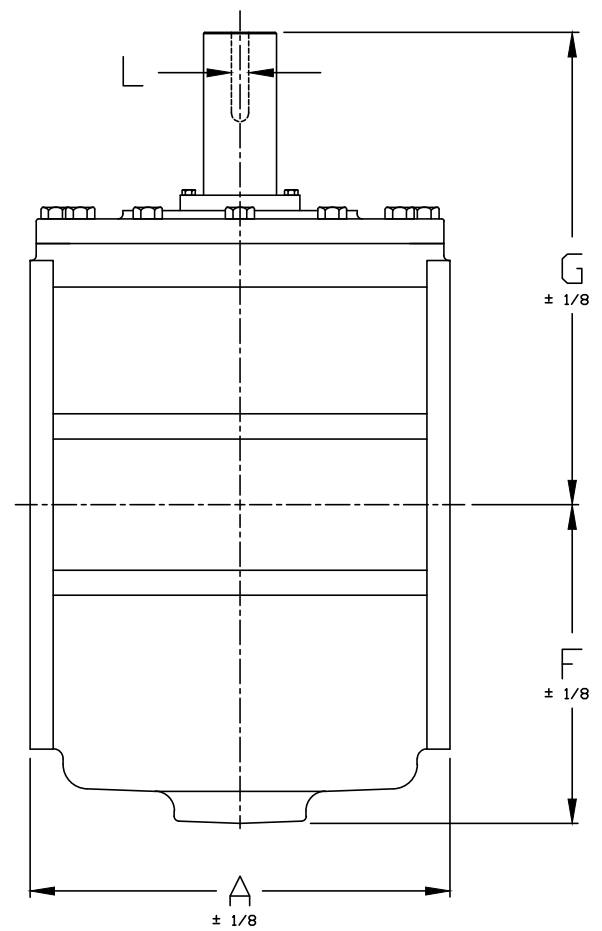
ACTUATOR MOUNTING DIMENSIONS



SEAT END



COLD WORKING PRESSURE
150 P.S.I.
HYDRO TEST PRESSURE
225 P.S.I.



SEE DRAWING NO. VM-5804RN-M FOR MATERIALS OF CONSTRUCTION.

END FLANGE DRILLING CONFORMS TO ANSI B16.1

FLANGE DIMENSIONS, INCHES

VALVE SIZE	A	B	C	D	E QTY.	E TAP	E DEEP	F	G	H	J	K	L	M	N	O	P	Q	R	BOLT SIZE	NO. OF BOLTS	% OF STD. WT. PIPE
18	21.50	22.75	25.00	1.56	8	1 1/8-7	1.88	16.25	24.18	9.12	3.745	4.12	.875	3.261	12.00	10.00	7.38	5/8-11	1.12	1 1/8	16	83

Revised 6-12-18

ANSI CLASS 125 FLANGED CAM-CENTRIC RECTANGULAR PLUG VALVE WITH BARE STEM

DATE 5-8-09



VALVE AND MANUFACTURING CORP.

DRWG. NO.

VMC-5818R/BS