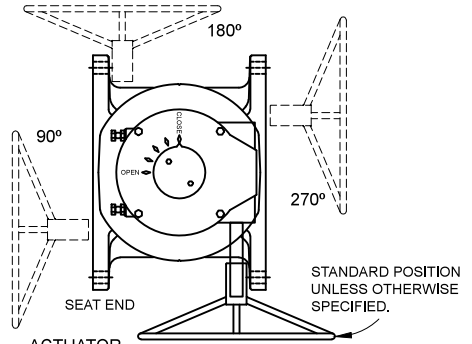
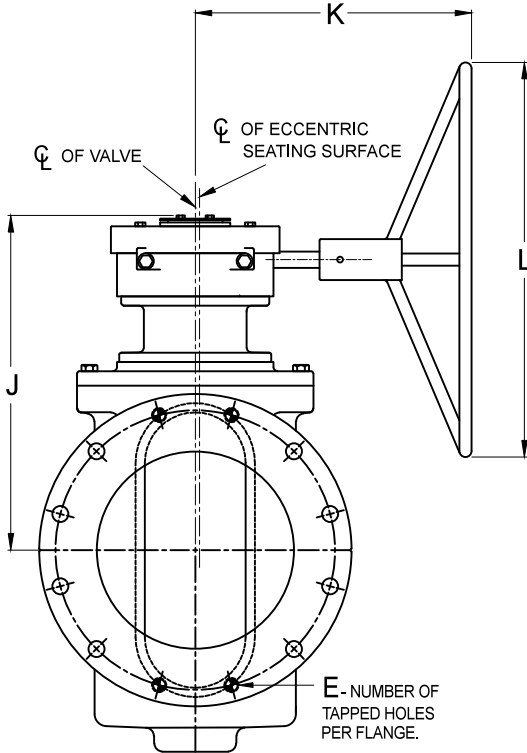


PLUG STOP ADJUSTMENT SCREWS

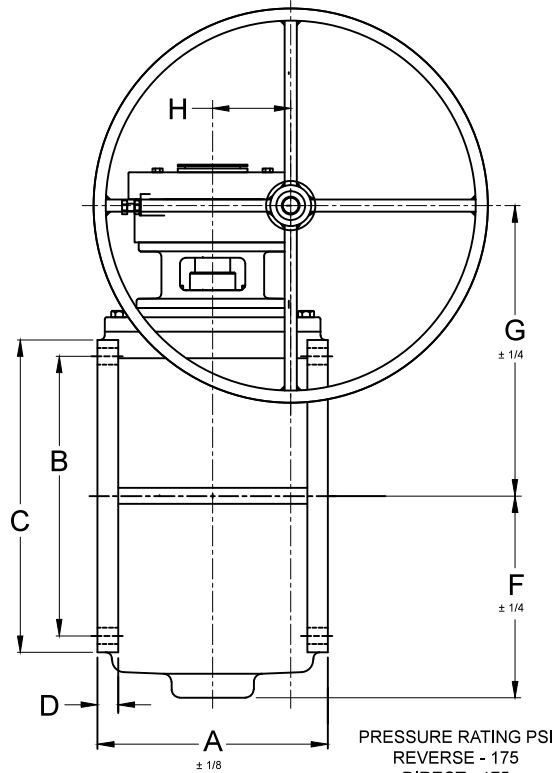


ACTUATOR MOUNTING POSITIONS

STANDARD POSITION UNLESS OTHERWISE SPECIFIED.



COLD WORKING PRESSURE
175 P.S.I.
HYDRO TEST PRESSURE
265 P.S.I.



PRESSURE RATING PSI
REVERSE - 175
DIRECT - 175

DIMENSIONS, INCHES

VALVE SIZE	MODEL NUMBER	A	B	C	D	E QTY.	E TAP	E DEEP	F	G	H	J	K	L	BOLT SIZE	NO. OF BOLTS	TURNS TO OPEN
12	5812R/7D24	14.00	17.00	19.00	1.25	4	7/8-9	1.25	12.25	17.69	4.75	20.44	16.81	24.00	7/8	12	20

ANSI CLASS 125 FLANGED CAM-CENTRIC RECTANGULAR PLUG VALVE WORM GEAR ACTUATOR

DATE 2-4-14



VALVE AND MANUFACTURING CORP.

DRWG. NO.

VMC-5812R/WGA