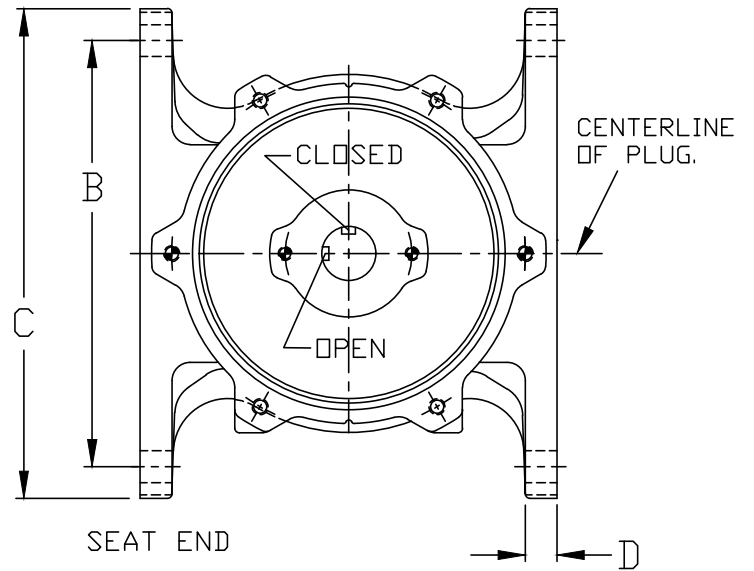
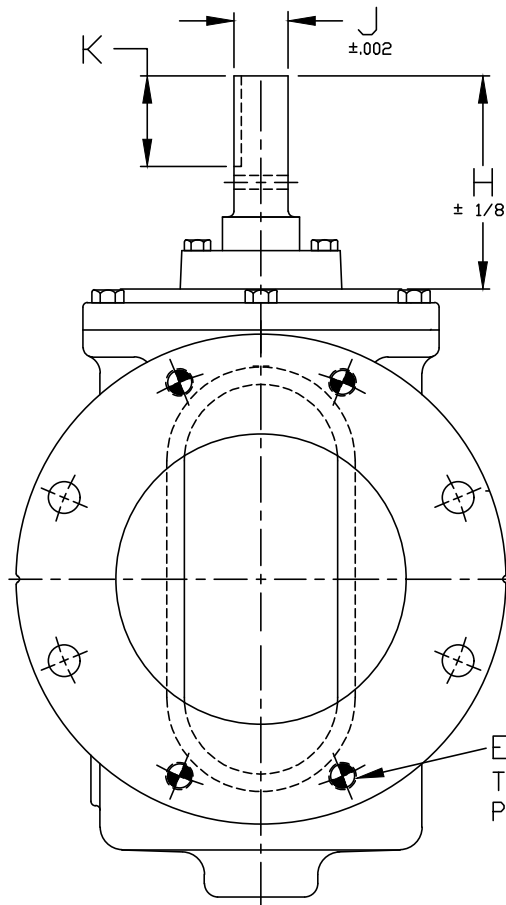


ACTUATOR MOUNTING DIMENSIONS

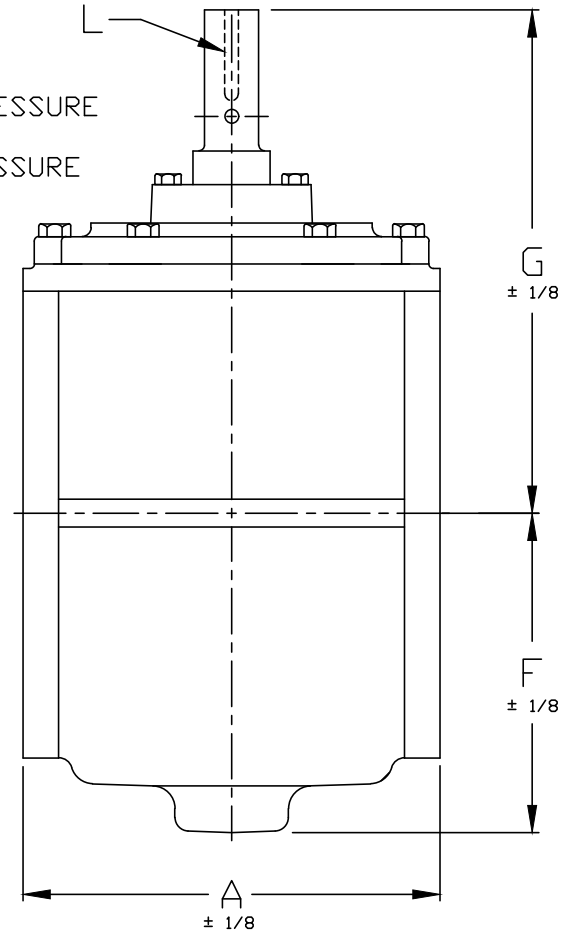


SEAT END



E - NUMBER OF TAPPED HOLES PER FLANGE.

COLD WORKING PRESSURE
175 P.S.I.
HYDRO TEST PRESSURE
265 P.S.I.



FLANGE DIMENSIONS, INCHES

VALVE SIZE	A	B	C	D	E QTY.	E TAP	E DEEP	F	G	H	J	K	L	M	N	O	P	Q	R	BOLT SIZE	NO. OF BOLTS	% OF STD. PIPE WT.
8	11.50	11.75	13.50	0.88	4	3/4-10	1.25	8.75	13.88	5.88	1.496	2.31	.375	1.289	7.75	6.50	5.12	1/2-13	5/8	3/4	8	85

Revised 6-21-18

ANSI CLASS 125 FLANGED CAM-CENTRIC[®] RECTANGULAR PLUG VALVE WITH BARE STEM

DATE 4-14-09



VALVE AND MANUFACTURING CORP.

DRWG. NO.

VMC-5808R/BS