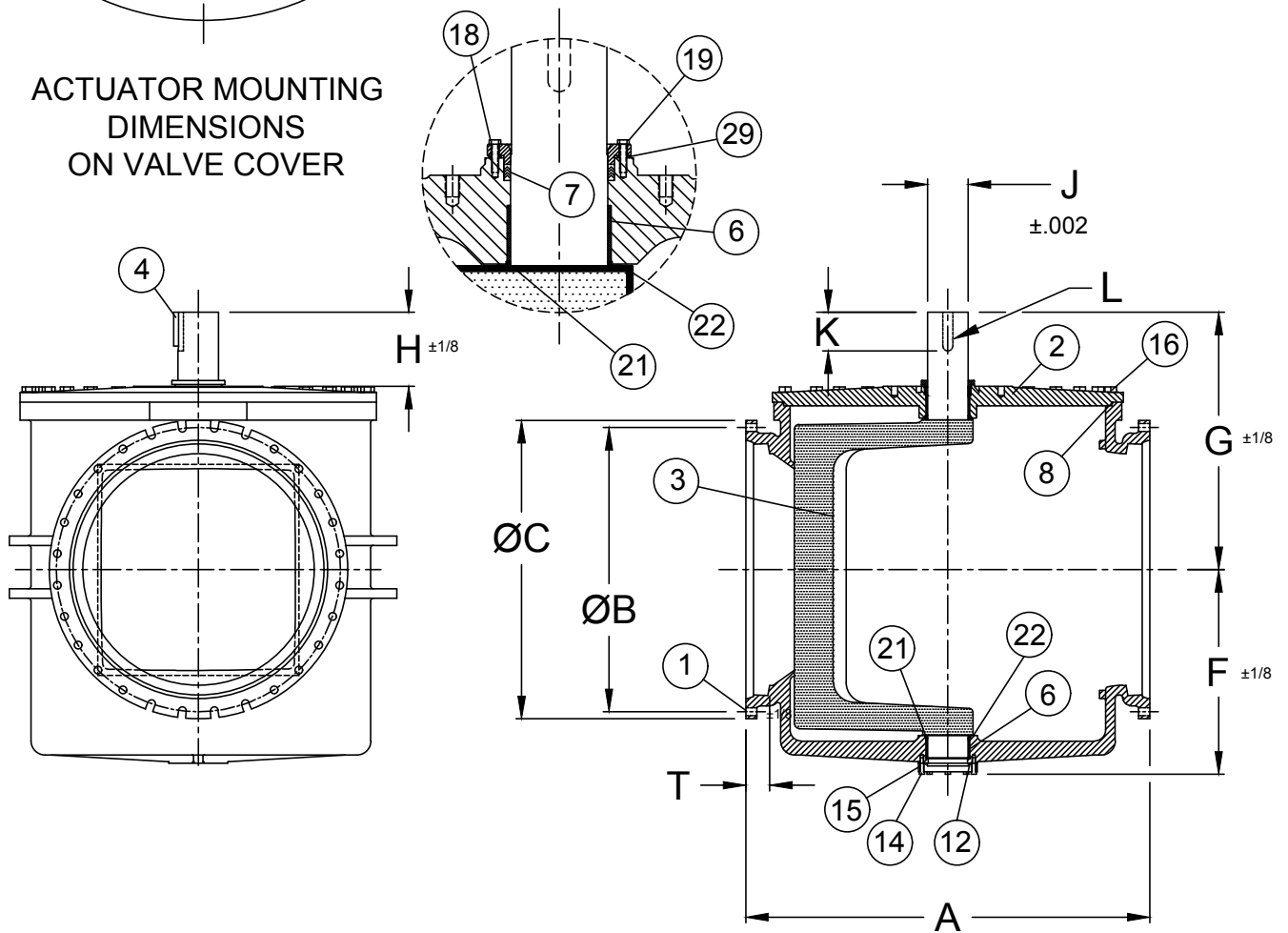


ACTUATOR MOUNTING DIMENSIONS ON VALVE COVER



SEE DRAWING NO. VM-5842R-M FOR STANDARD MATERIALS OF CONSTRUCTION

END FLANGE DRILLING CONFORMS TO ANSI B16.1

VALVE SIZE	A	B	C	D	F	G	H	J	K	L	M	N	O	P	Q	R	S	T	BOLT SIZE	NO. OF BOLTS
42	72	50.63	53.13	2.00	36.4	45.8	13.2	7.245	6.0	1.75 SQ.	6.268	23.0	19.0	11.2	1 1/4-7	1.63	8	4.0	1 1/4	28
48	84	57.50	59.88	2.00	36.5	53.6	15.5	7.745	7.0	2.00 SQ.	6.619	23.0	19.0	12.0	1 1/4-7	1.63	8	4.0	1 1/4	32

100% PORT MECHANICAL JOINT CAM-CENTRIC® RECTANGULAR PLUG VALVE

DATE 8-2-18



VALVE AND MANUFACTURING CORP.

DRWG. NO.

VMC-5742F