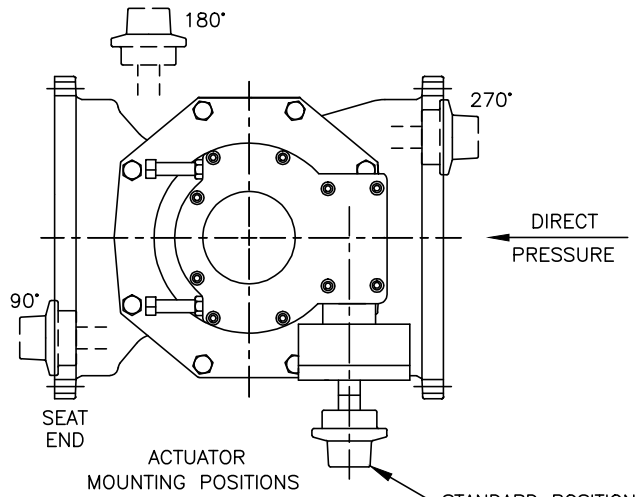


SEAT END

PLUG STOP ADJUSTMENT SCREWS



90°

SEAT END

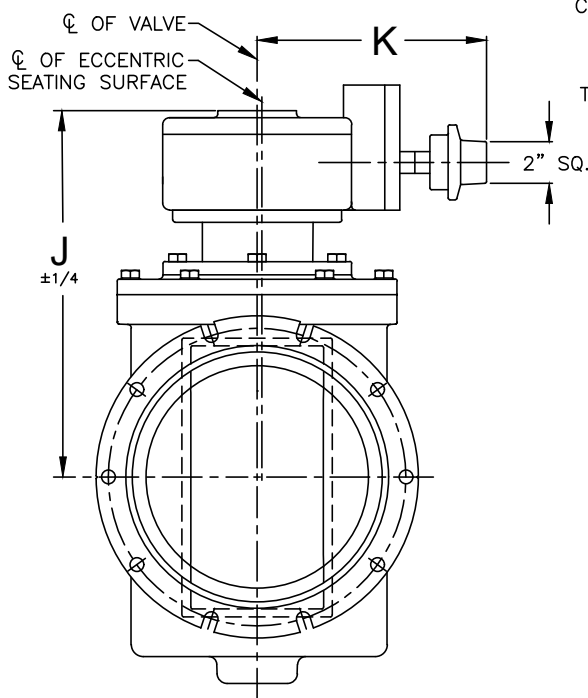
ACTUATOR MOUNTING POSITIONS

180°

270°

DIRECT PRESSURE

STANDARD POSITION UNLESS OTHERWISE SPECIFIED



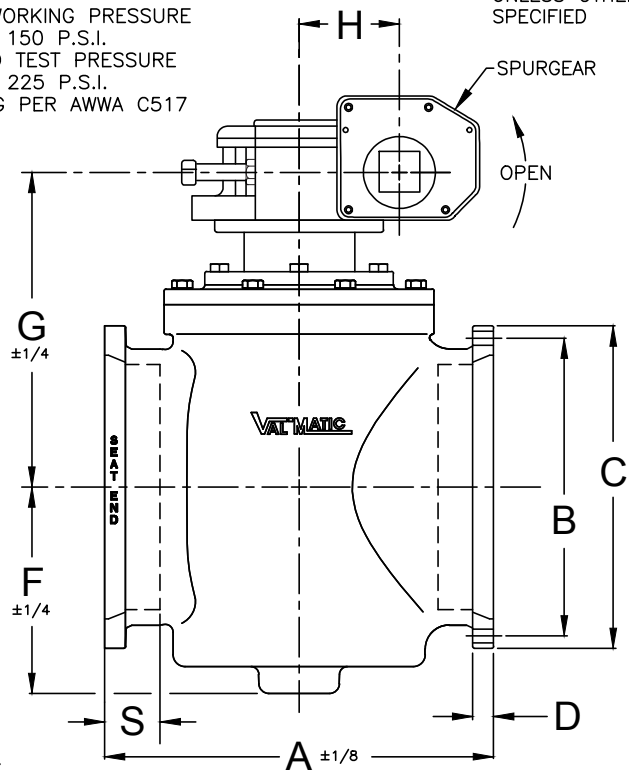
CL OF VALVE  
CL OF ECCENTRIC SEATING SURFACE

K

2" SQ.

J ±1/4

COLD WORKING PRESSURE 150 P.S.I.  
HYDRO TEST PRESSURE 225 P.S.I.  
TESTING PER AWWA C517



SPURGEAR

OPEN

G ±1/4

F ±1/4

VAL-MATIC

SEAT END

S

A ±1/8

C

B

D

\*ASTERISK INDICATES VALVE MODEL NUMBERS W/O SPUR GEAR. SEE DRAWING NO. VM-5606FN-M FOR MATERIALS OF CONSTRUCTION.

VALVE SIZE	MODEL NO.	ACTUATOR PRESSURE RATING P.S.I.		A	B	C	D	F	G	H	J	K	S	BOLT SIZE	NO.OF BOLTS
		REVERSE	DIRECT												
14	5714F/6E02	100	150	24.50	18.75	20.31	1.38	13.1	19.2	5.6	21.8	13.0	3.50	3/4	10
	5714F/6F02	150	150												
16	5716F/6G02	50	150	24.69	21.00	22.56	1.44	15.6	23.1	9.7	24.9	13.0	3.50	3/4	12
	5716F/6H02	100	150												
	5716F/6J02	150	150												
18	5718F/6K02	50	150	28.50	23.25	24.83	1.56	15.6	23.0	9.7	24.9	13.0	3.50	3/4	12
	5718F/6L02	100	150												
	5718F/6M02	150	150												
20	5720F/6N02	50	150	30.50	25.50	27.09	1.69	17.5	24.7	7.3	26.0	14.5	3.50	3/4	14
	5720F/6P02	100	150												
	5720F/6Q02	150	150												
24	5724F/6R02	50	150	37.00	30.00	31.59	1.75	19.0	23.9	4.2	26.8	15.2	3.50	3/4	16
	5724F/6S02	100	150												
	5724F/6T02	150	150												
30	5730F/6U02	50	150	45.50	36.88	39.12	1.94	24.0	27.3	2.8	31.8	20.1	4.00	1	20
	5730F/6V02	100	150												
	5730F/6W02	150	150												
36	5736F/6Z02	50	150	61.88	43.75	46.00	2.00	27.1	33.4	4.9	38.7	20.6	4.75	1	24
	5736F/6Y02	100	150												
	5736F/6Z02	150	150												

REV 6-22-17

100% PORT CAM-CENTRIC® MJ PLUG VALVE WITH BURIED WORM GEAR ACTUATOR

DATE 3-2-16



VALVE AND MANUFACTURING CORP.

DRWG. NO. VMC-5714F/BWGA